

LUSCOMBE

CONTENTS

Univair has hundreds of quality FAA-PMA approved parts for the Luscombe 8 series aircraft. We also carry distributor parts such as tires, tailwheels, and much more.

Manuals	45
Control System	45
Electrical System	46
Engine • Cowling.....	46
Frame.....	47
Landing Gear	48
Propellers.....	49
Tail Section.....	49
Windows • Windshields.....	50
Wings.....	50

Many parts can be correctly identified by the nomenclature listed in this section. However, we suggest that you also have the correct parts manual for positive identification.

Manuals

Description	Part #	Price
Luscombe 8A Owner's Manual	L8A	\$7.07
Luscombe 8E Owner's Manual.....	L8E	\$7.07
Luscombe 8 Series Master Parts List (Illustrated).....	L8PM	\$33.58
Luscombe Service Manual (Early Fabric Wing)	L8SM	\$18.30
Luscombe Silvaire Operators Handbook.....	L8WM	\$41.57

Control System

Description	Part #	Price
Torque Shaft Control Assembly	585042	\$1,241.92
Elevator Bellcrank	285064	\$437.61

Push Pull Rod.....	285041	\$154.98
Aileron Pulley Bracket, Left	282069	\$155.25
Angle Bracket.....	185056	\$18.52
Aileron Fairlead Bracket, Left	181073	\$102.44
Lower Control Stick Assembly, Left or Right.....	28508	\$158.79
Elevator Control Pulley Bracket	18414	\$187.55
Pulley Guard.....	08522-3	\$79.62
Brake Pedal Pads, Left and Right, Sold as Pair.....	19519-P	\$27.50
Rudder Right Bearing Control Support.....	28509-1	\$66.90
Dual Brake Pedal, Right.....	28514-15	\$289.69
3 inch Pulley	A120	\$14.85
1½ inch Pulley.....	A167	\$27.37
Rudder Pedal Return Spring.....	U08511-10	\$29.48
Aileron Cable Fairlead	U18102	\$26.04
Lower End Lift Strut Universal, Left or Right	U18291	\$216.62
Hinge Bracket.....	U18416	\$26.43
Hinge Pin	U18441	\$36.26
Tab Control Bolt	U185044	\$28.35
Elevator Torque Tube Bearing.....	U18529	\$135.08

Control Cables

Univair-made control cables are FAA-PMA approved. Most cables can be purchased in either galvanized or stainless steel.



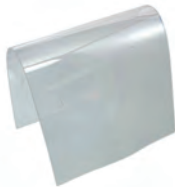
Brake Cable Assembly, Galvanized	U085017-4	\$95.26
Stainless	U085017-4S	\$124.76
Elevator Cable, S/N 1 to 4199, Galvanized.....	U285012	\$165.71
Stainless	U285012S	\$191.57
Elevator Cable, S/N 4200 and up, Galvanized	U285012-10	\$188.54
Stainless	U285012-10S	\$214.27
Left Rudder Cable, Galvanized.....	U285013-4	\$190.68
Stainless	U285013-4S	\$193.33
Right Rudder Cable, Galvanized	U285013-5	\$169.00
Stainless	U285013-5S	\$193.33
Stick to Aileron Cable, Galvanized	U285014	\$201.81
Stainless	U285014S	\$212.89
Aileron Balance Cable (16' 7/8")		
Left, Galvanized	U285015-L	\$195.96
Left, Stainless	U285015-LS	\$211.09
Right, Galvanized	U285015-R	\$207.40
Right, Stainless.....	U285015-RS	\$211.09
Aileron Balance Cable, 15' 10 3/4"		
Left, Galvanized	U285015-99L	\$158.39
Left, Stainless	U285015-99LS	\$182.50
Right, Galvanized	U285015-99R	\$158.39
Right, Stainless.....	U285015-99RS	\$195.83
Forward Trim Cable, Galvanized	U285039-10	\$166.36
Stainless	U285039-10S	\$172.42
Aft Trim Cable Assembly, Galvanized.....	U285040-10	\$177.87
Stainless	U285040-10S	\$208.65

Electrical System

Description	Part #	Price
Magneto Noise Filter.....	A293	\$190.14
Landing Light Bracket (fastened on front spar).....	282215	\$33.89
Landing Light Clamp.....	582222-3	\$36.07
Landing Light Base	582222-4	\$188.35

Clear Landing Light Lens

Left	082223-4	\$63.86
Right	082223-5	\$63.86



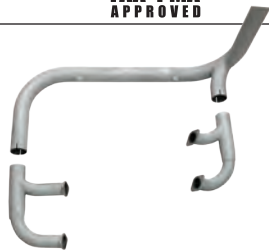
Engine • Cowling

Description	Part #	Price
Left Side Cowl Door.....	U086085-5	\$223.49
Right Side Cowl Door	U086085-6	\$223.49
Engine Mount Bushing, Lower	U181149-2	\$15.94
Upper	U181149-3	\$23.86
Engine Upright Baffle.....	086107-2	\$416.23
Fin Butterfly Baffle, Outboard	28696-3	\$44.91
Front Cylinder Baffle, Right	48683-2	\$103.63
Left	48684-2	\$115.52
Cabin Heater Plate Assembly	18637	\$55.63
Cabin Heater Shim	U48629-7	\$10.78

8A Exhaust Stack "Crossover"

- Fits all A-65 Continental engines

Rear Crossover.....	U08627-5.....	\$481.35
Left Stack	U08627-3.....	\$524.74
Right Stack.....	U08627-7.....	\$471.17
Exhaust Clamp	U08627-100.....	\$62.52



Complete Assembly (includes 2 exhaust clamps)..... U08627-C \$1,348.30

Air Filter

- Fits carburetor air box UA50256 for 4-cylinder Continental engines on Luscombe 8A thru 8F
- Supersedes part number 40599

600314..... \$104.75



Small Skull Cap Spinner

FAA-PMA
APPROVED

- Diameter: 5.125 inches OD
- This spinner may not fit all taper shaft installations

Small Skull Cap Spinner	U0450279	\$85.15
Spinner Bracket.....	U0450281	\$30.41
Spinner Assembly	SM-SPIN-ASY	\$99.43



8E/8F Exhaust Stacks

FAA-PMA
APPROVED

Exhaust Stack Left	U09604	\$879.43
Right.....	U09605	\$879.43



Rubber Engine Mount Bushings

- Used on all A and C series Continental engines
- 8 required per aircraft
- Priced and sold individually

U22387A..... \$6.88



Luscombe Wing Tank Fuel Cap

FAA-PMA
APPROVED

- Applicability: Luscombe 8A, 8E
- 2 required per aircraft (1 left, 1 right)
- Priced and sold individually

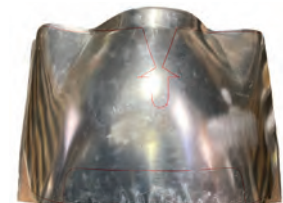
U286116..... \$215.13



All-Aluminum Cowl Stampings

FAA-PMA
APPROVED

Univair's aluminum Luscombe cowling pieces are not finish trimmed due to the manufacturing variances between aircraft. It is recommended that you use old cowling parts as a template for final trim and fit.



Nose Cowl Stamping	U086085-2	\$1,789.18
Top Center Cowl Skin.....	U086085-3	\$513.26
Bottom Cowl Stamping.....	U086085-4	\$1,014.42

Firewall Dish Pan

FAA-PMA
APPROVED

- Used on Luscombes with an electrical system

U581158..... \$665.76



Engine Mount

FAA-PMA
APPROVED

- Applicability: All Continental powered Luscombes, A-65 through C-85
- Not for use with engines equipped with hummer starter



Engine Mount U48147.....\$1,939.89

Engine Mount Bushing

FAA-PMA
APPROVED

- Firewall to engine mount bushing
- Rubber
- 6 required per aircraft
- Priced and sold individually



U18624\$47.94

Carburetor and Cabin Heat Shroud

FAA-PMA
APPROVED

- For Luscombe 8A
- Not for use with stainless steel exhaust stacks



U48629\$510.32

Cabin Heat Shroud

FAA-PMA
APPROVED

- Fits U09604 stack (8E/8F) and 8A 2-piece stacks
- Not for use with stainless steel stacks



U486065\$473.63

Carburetor Heat Shroud Assembly

FAA-PMA
APPROVED

- Not for use with stainless steel stacks
- Fits on U09605 Stack



U086126\$864.62

Fuel Valve

FAA-PMA
APPROVED

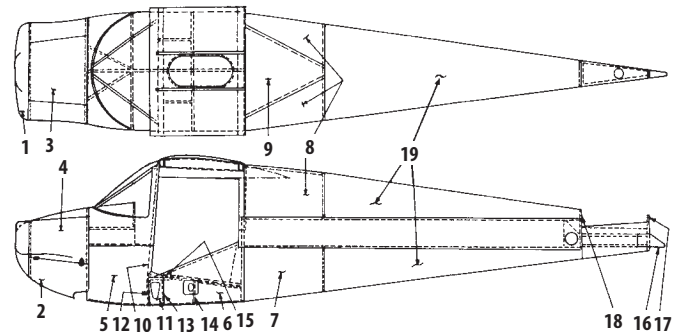


Valve Kit (Valve, Bracket, and Hardware) U286094-A \$614.78
 Valve Only U286094-000 \$504.66
 Valve Bracket U286094-101 \$80.11

Frame

Description	Part #	Price
#2 Top Side Skin, Right.....	U08043-16	\$117.21
#2.5 Bulkhead Assembly.....	U38008	\$889.98
#3 Bulkhead Channel, Left.....	U58003-2	\$141.58
Right.....	U58003-3	\$141.58
Cabin Stay Rib, Left.....	381019	\$161.82
Right.....	381019-1	\$161.82
Instrument Panel Stiffener.....	281141	\$49.42
Door Latch Rod.....	281122	\$70.86
Superstructure Vee Assembly.....	48020	\$24.26
Frame Reinforcement Channel, Left.....	28048	\$123.93
Right.....	28048-1	\$127.64
No. 3 Top Side Skin Stiffener, Left.....	48086-9	\$22.25
Top Tail Skin Stiffener, Right.....	58086-10	\$72.54
Left.....	58086-11	\$72.54
Bottom Tail Skin Stiffener.....	58086-12	\$72.54
Oleo Reinforcement Patch.....	U18089	\$93.92
Tail Tray Reinforcement Bracket.....	U18110	\$74.55
Reinforcement.....	U181214	\$9.71
Bulkhead #2.5 Fitting, Left.....	U28103-0	\$79.30
Right.....	U28103-1	\$79.30
Bulkhead No. 2.5 Reinforcement Flange, Left.....	U28116	\$45.90
Right.....	U28116-1	\$45.90

Skins • Bulkheads • Stampings



Part numbers starting with a 'U' prefix are FAA-PMA approved.

#	Description	Part #	Price
1	Nose Cowl Stamping*.....	U086085-2	\$1,789.18
2	Bottom Cowl Stamping*.....	U086085-4	\$1,014.42
3	Top Center Cowl Skin.....	U086085-3	\$513.26
4	Cowl Door, Left.....	U086085-5	\$223.49
	Right.....	U086085-6	\$223.49
5	Station #1 Bottom Skin, Right.....	U08043-13	\$712.34
	Left.....	U08043-12	\$712.34
6	Station #2 Bottom Skin, Right.....	U08043-11	\$1,237.26
	Left.....	U08043-10	\$1,237.26

7	Station #3 Bottom Skin.....	U08043-51	\$642.76
8	Station #3 Top Side Skin, Right.....	U08043-19	\$1,584.49
	with cutout for "D" window (8E, 8F).....	U08043-55	\$1,758.60
	Station #3 Top Side Skin, Left.....	U08043-18	\$1,584.49
	with cutout for "D" window (8E, 8F).....	U08043-54	\$1,758.60
9	Station #3 Top Center Skin.....	U08043-17	\$139.96
10	Station #2 Bulkhead Upright (Doorpost), Left.....	U58028	\$388.65
	Right.....	U58028-1	\$388.64
11	Strip Skin, Bottom Station #2 Bulkhead		
	For use with 2-piece gear.....	U38104-2	\$244.36
	For use with Silflex gear.....	U38104-3	\$205.14
12	Station #2 Front Bulkhead Stamping*.....	U081156	\$582.78
13	Station #2 Rear Bulkhead Stamping*.....	U081157	\$351.30
14	Station #2.5 Bulkhead Stamping*.....	U38008-2	\$327.61
15	Oleo Cover Plate Station #2 Bulkhead.....	28036	\$188.95
16	Tailwheel Attach Bracket Assembly.....	U48359	\$487.45
17	Station #8 Tail Bulkhead Assembly.....	U49099	\$431.40
18	Station #7 Bulkhead.....	U28007	\$718.58
-	Firewall Dishpan (not shown).....	U581158	\$665.76
19	Top or Bottom Frame Cone Skin (Blank).....	U08043-40	\$1,075.20

* Stampings are not finished and must be fit to an individual airplane

Superstructure Vee Firewall Brace

With Pulley Brackets	
581223-500.....	\$1,548.25
Without Pulley Brackets (shown at right)	
581223-10.....	\$703.16



Carry-thru Spar Blanks



FAA-PMA APPROVED

- Complies with AD 55-24-01
- Front or Rear..... U28019-2 **\$542.27**

Blank Instrument Panel

FAA-PMA APPROVED

U081030-102..... **\$635.52**



Landing Gear

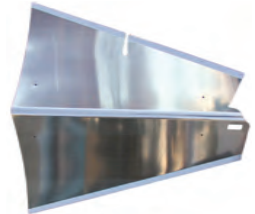
Description	Part #	Price
Oleo Fitting Assembly.....	18074	\$160.42
Oleo Cover Plate, #2 Bulkhead.....	28036	\$188.95
Piston Tube Collar.....	28308-500	\$56.88
Wheel Fairing Reinforcement, Right.....	28357-1	\$99.05
Tie Rod Universal.....	U18313-2	\$185.36

Landing Gear Bushing, Left.....	U18380-2	\$12.35
Right.....	U18380-3	\$17.37
Hinge Pin.....	U18381-2	\$80.06
Landing Gear Fairing Block.....	U48321-2	\$67.86

All-Aluminum Landing Gear Fairing

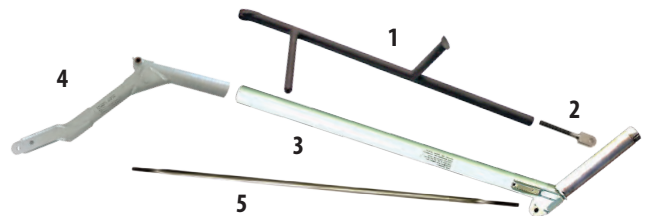
FAA-PMA APPROVED

For Standard Landing Gear	
Left.....	U48321 \$264.60
Right.....	U48321-1 \$264.60
For Silflex Landing Gear	
Left.....	U083140 \$348.69
Right.....	U083140-1 \$348.69



Luscombe Standard Landing Gear Parts

FAA-PMA APPROVED



1) Jack Strut, Left.....	U48350	\$817.86
Right.....	U48333	\$817.86
2) Fork End (S-9).....	U08311-4	\$83.49
3) Lower Leg, Left.....	U58383	\$1,273.02
Right.....	U58383-1	\$1,273.02
4) Upper Arm, Right.....	U48378	\$1,828.57
Left.....	U58379	\$1,828.57
5) Tie Rod (without fittings, 36¼ inches long).....	AN676AC-3625	\$284.96
Tie Rod, Streamlined, Drawn and Polished		
(without fittings, 33¾ inches long).....	AN677AC-3375	\$363.36

Aircraft Ski Springs

STC APPROVED

- Atlee Dodge parts
- Applicability: Aeronca, Champion, Luscombe, Maule, Piper J-3 thru PA-22, Stinson, Taylorcraft
- Improves ski rigging tension in cold weather
- Use with tubular landing gear
- STC SA4624NM



Gold Color.....	2127	\$230.00
Silver Color.....	2097	\$230.00

Jack Strut for Silflex Landing Gear

FAA-PMA APPROVED



Silflex Jack Strut, Left.....	U583146	\$775.79
Right.....	U583146-1	\$775.79

Propellers

Univair furnishes a bolt kit with each propeller purchase. Bolt kits can also be purchased separately from our website.

Propeller descriptions below show basic aircraft/engine model applicability. Check manufacturer's websites for exact applicability before purchasing, or contact our sales staff at 1-888-433-5433 and we can research it for you.

Please note that we do not stock all of the propellers listed. Non-stocked propellers require 2-3 months for delivery.



McCaughey Aluminum Fixed-Pitch Propellers

8F, T-8F Silvaire, Continental C-90.....	CM7152	\$5,679.19
8F, T-8F Silvaire, Continental C-90.....	CM7154	\$4,728.80
T-8F Sprayer, Continental C-90.....	CM7345	\$4,728.80
8FS Seaplane, T-8F Sprayer, Continental C-90.....	CM7347	\$4,728.80

Sensenich Wood Propellers

8E, 8F, Continental C-85, C-90.....	W72GK50-CUB	\$3,585.00
8E, 8F, Continental C-85, C-90.....	W72GK50-SB	\$3,585.00
8C, 8D, Continental A-75.....	W72GK46	\$3,550.00
8C, 8D, 8E, Continental A-75, C-85.....	W72GK48	\$3,550.00
8E, 8F, Continental C-85, C-90.....	W72GK50	\$3,550.00
8A, Continental A-65.....	W76CK42	\$3,685.00
8A, Continental A-65.....	W76CK44	\$3,685.00

Tail Section

Description	Part #	Price
Square Tip Rudder Skins, Both Left and Right Skins Included.....	U08492-6/7	\$563.83
Elevator Spar.....	18407	\$87.88
Outboard Elevator Hinge.....	U18410	\$142.01
Square Fin Rear Attach Plate Assembly.....	U18419	\$567.35
Square Tip Rudder Spar.....	U18431	\$64.99
Upper Rudder Hinge.....	U18433	\$142.66
Blank Elevator Skins, Both Top and Bottom Skins Included, Fits Left or Right.....	CS11037	\$758.77
Lower Rudder Hinge.....	U18437	\$81.69
Front Fin Attachment Shim.....	18438	\$8.94
Front Plate, Vertical Fin Attach.....	U18487	\$144.82
Vertical and Horizontal Stabilizer Tip (Square Type).....	U28479	\$174.30
Vertical Fin, Rear Spar (Square Type).....	U38484-2	\$109.58
Front Spar (Square Type).....	U38485	\$71.65
Bottom Rib (Square Type).....	U38486	\$68.17

Horizontal and Vertical Stabilizer Fairing, Left.....	U48404	\$116.15
Right.....	U48404-1	\$116.15
Horizontal Stabilizer Tip Assembly, Left (Round Type).....	U48452-L	\$516.23
Right (Round Type).....	U48452-R	\$516.23
Horizontal Stabilizer Leading Edge Skin, Left (Round Type).....	58400-2L	\$184.39
Right (Round Type).....	58400-2R	\$184.39
Horizontal Stabilizer Skin (Round Type).....	58400-3	\$111.00
Horizontal Stabilizer Top Center Skin (Round Type).....	58400-4	\$111.00
Vertical Stabilizer Forward Skin (Square Type).....	U58480-2	\$270.97
Vertical Stabilizer Aft Skin (Square Type).....	U58480-3	\$265.87
Nose Rib, Outboard.....	18474	\$45.27
Nose Rib, Inboard.....	18473	\$45.27
Hinge Nut Plate Assembly.....	18413	\$15.60
Horizontal Stabilizer Center Spar.....	28417-2	\$236.54
Round Rudder Lower Rib.....	28435-2	\$63.98
Stabilizer Center Spar.....	38477-2	\$101.85
Stabilizer Rear Spar.....	38483-2	\$376.81
Tailwheel Spring Clip, Upper.....	48302-2	\$10.04
Lower Left Inside Stabilizer Skin.....	58400-5	\$81.33
Lower Right Inside Stabilizer Skin.....	58400-8	\$81.33
Fin Leading Edge Skin, Right.....	58402-2	\$108.04
Round Tip Bottom Rudder Skin, Left.....	58403-2	\$307.77
Right.....	58403-3	\$307.77
Round Rudder Leading Edge, Left.....	58403-4	\$90.34
Right.....	58403-5	\$86.72
Square Rudder Leading Edge Cover, Left.....	U08492-2	\$79.22
Right.....	U08492-3	\$77.76
Shim.....	U08492-5	\$37.85
Rudder Horn Reinforcement.....	U18429	\$113.77
Fin Plate.....	U18451	\$33.31
Elevator Torque Tube Bearing.....	U18529	\$135.08
Vertical Fin Bottom Rib, Square Type.....	U38486	\$68.17
Tailwheel Attach Bracket.....	U48359	\$487.45
Tail Bulkhead Assembly, Station #8.....	U49099	\$431.40

Rudder and Elevator

Hinge Pin and Bracket

FAA-PMA
APPROVED

Hinge Pin.....	U18441	\$36.26
Hinge Pin Bracket.....	U18416	\$26.43



Vertical Fin Front Attach Fitting

FAA-PMA
APPROVED

This fitting is welded 4130 steel and complies with all provisions of AD 94-16-02. This fitting is required only on those Luscombes with the "round tip" vertical stabilizer. For the square tip fin, use aluminum fitting, part number U18487.

U28444.....	\$338.30
-------------	-----------------



Rudder Horn



• For square tip rudder

U18490 \$140.74

Luscombe Fin and Rudder

• Square tip

Rudder Assembly U08492 \$2,998.04

Fin Assembly U58480 \$1,945.34



Tailwheel Springs



Complete Set.....	U28302	\$299.94
Tailwheel Spring Leaf, 3rd.....	U28302-2	\$45.69
Tailwheel Spring Leaf, 2nd.....	U28302-3	\$40.67
Tailwheel Spring Leaf, Top.....	U28302-4	\$33.44
Tailwheel Spring Leaf, Main.....	U48302-6	\$69.66

Windows • Windshields

Prices below are for clear windows and windshields only. See our website for prices and availability of Solar Gray and Green tinted versions. Delivery time is 10 to 12 weeks for non-stock items.

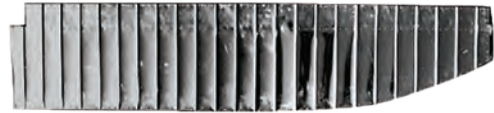
Description	Part #	Price
Windshield.....	081105-2	\$346.01
Door Window, Opening Type.....	481107-12	\$65.34
Door Window, Stationary Type.....	48125-2	\$65.34
Left or Right Rear Window.....	19139	\$51.23
Skylight.....	08011-2	\$54.20

Wings

Description	Part #	Price
Trailing Edge Rib, Left.....	582207	\$45.12
Right.....	582207-1	\$45.12
Top Inboard Panel Skin, Left or Right.....	082201-40	\$129.38
Spar Fitting, Right.....	582216-1	\$36.17
Top Outboard Panel Skin.....	U082201-42	\$151.56
Front Spar Fitting.....	U18016-2	\$119.01
Rear Spar Fitting.....	U18016-3	\$119.01

Leading Edge Stiffener, Center.....	U18812	\$16.47
Center Inboard Leading Edge Rib.....	U48272-6	\$23.50
Tip Outboard Leading Edge Rib.....	U48272-8	\$23.50
Wingtip Bow, Left.....	U582208-2	\$691.62
Right.....	U582208-3	\$705.38

Aileron



Aileron Complete Assembly, Left.....	U58273	\$4,127.73
Right.....	U58273-1	\$4,127.73
Aileron Inboard Hinge.....	U18269	\$240.80
Aileron Tip Outboard Hinge.....	U18270	\$142.01
Aileron Center Hinge.....	U18279	\$210.79
Inboard Hinge Bracket for Fabric Wing.....	18277-4	\$249.93
Center Hinge Bracket for Fabric Wing.....	18277-5	\$249.93
Aileron Horn.....	U18832-2	\$108.02
Aileron Horn Assembly.....	U18832	\$212.30
Aileron Spar, Left.....	U38271-3	\$165.30
Right.....	U38271-4	\$153.07
Top Aileron Skin, Left*.....	U582035	\$350.58
Right*.....	U582035-1	\$350.58
Bottom Aileron Skin, Left*.....	U582036	\$287.19
Right*.....	U582036-1	\$287.19
Aileron Reinforcement.....	U182032	\$7.84
Closeout Strip, Aileron Inboard, Left or Right.....	U282160	\$47.09
Closeout Strip, Aileron Outboard, Left.....	U282161	\$39.69
Right.....	U282161-1	\$39.69
Tip Outboard Aileron Rib, Left.....	U48272-2	\$36.17
Right.....	U48272-3	\$34.46
Root Trailing Edge Rib, Left.....	U48272-4	\$62.45
Right.....	U48272-5	\$58.51
Aileron Trim Tab, Left.....	U58273-6	\$61.46
Aileron Top Leading Edge, Right.....	U58283-1	\$60.74
Left.....	U58283-2	\$148.87
Aileron Bottom Outboard Leading Edge, Right.....	U58283-3	\$60.74
Left.....	U58283-4	\$34.39
Aileron Bottom Inboard Leading Edge, Right.....	U58283-5	\$60.74
Left.....	U58283-6	\$60.74

* Sold in top/bottom pairs only

See our full inventory of parts on

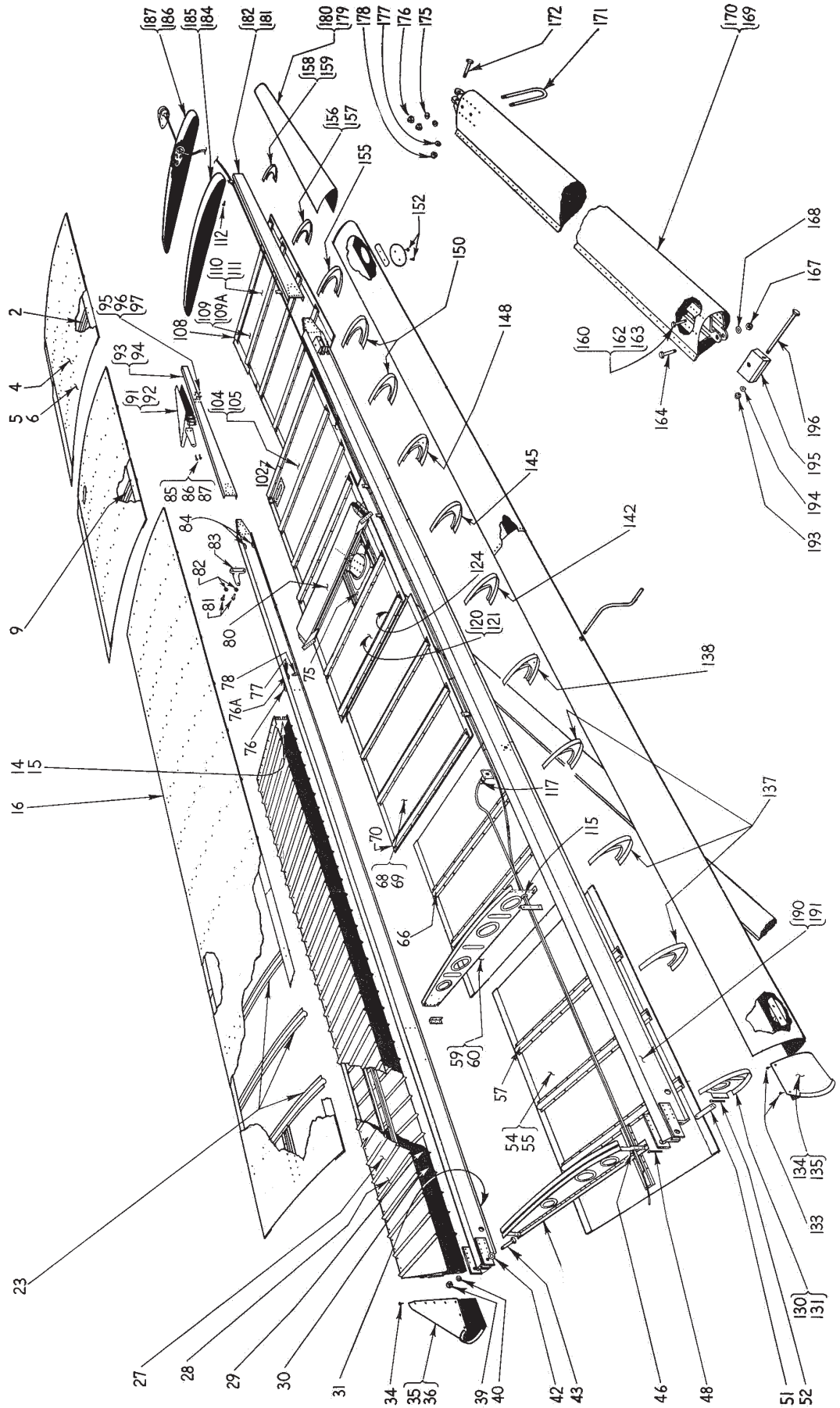
www.univair.com

Toll Free Sales: 1-888-433-5433



All-Metal Wing

- Applicability: Luscombe 8A, 8E and 8F
- Only the parts listed are available from Univair
- Part numbers starting with a 'U' prefix are FAA-PMA approved



#	Description	Part #	Price
2	Top Outboard Panel Former.....	U082201-30.....	\$106.15
4	Top Outboard Panel Skin.....	U082201-42.....	\$151.56
5	Top Outboard Panel Sub Assembly, Left.....	U082201-6.....	\$844.70
6	Top Outboard Panel Sub Assembly, Right.....	U082201-7.....	\$809.84
9	Top Center Panel Former.....	U082201-30.....	\$106.15
14	Trailing Edge Rib, Left.....	582207.....	\$45.12
15	Trailing Edge Rib, Right.....	582207-1.....	\$45.12
16	Top Inboard Panel Skin, Left/Right.....	082201-40.....	\$129.38
23	Top Inboard Panel Former.....	U082201-30.....	\$106.15
27/29	Left Trailing Edge Skins, Top & Bottom.....	U082201-50/52.....	\$854.56
28/30	Right Trailing Edge Skins, Top & Bottom.....	U082201-51/53.....	\$854.56
31	Main Wing Rear Spar Blank, Left/Right.....	082203.....	\$312.00
34	Type A Slotted Screw.....	4X1/4-PRA-SS.....	\$0.02
35	Trailing Edge Wing Root Fairing, Left.....	U482154-4.....	\$148.15
36	Trailing Edge Wing Root Fairing, Right.....	U482154-5.....	\$148.15
39	Self-Locking Nut (AN365-624).....	MS21044N6.....	\$0.58
40	Flat Washer (AN960-616).....	NAS1149F0663P.....	\$0.11
42	Flat Washer (AN960-616).....	NAS1149F0663P.....	\$0.11
43	Airframe Bolt.....	AN6-22A.....	\$0.86
46	Rubber Grommet, Left Side Only (AN931-5-9).....	MS35489-9.....	\$0.78
48	Cotter Pin (AN380-3-4).....	MS24665-285.....	\$0.04
51	Front Wing Hinge Pin.....	U18230.....	\$77.77
52	Cotter Pin (AN380-3-4).....	MS24665-285.....	\$0.04
54	Bottom No. 1 Panel Assembly, Left.....	U082201-8.....	\$699.39
55	Bottom No. 1 Panel Assembly, Right.....	U082201-9.....	\$699.39
57	Bottom No. 1 Panel Former.....	U082201-32.....	\$121.52
59	Bottom No. 2 Panel Assembly, Left.....	U082201-10.....	\$631.62
60	Bottom No. 2 Panel Assembly, Right.....	U082201-11.....	\$631.62
66	Bottom No. 2 Panel Former.....	U082201-32.....	\$121.52
68	Bottom No. 3 Panel Assembly, Left.....	U082201-12.....	\$625.28
69	Bottom No. 3 Panel Assembly, Right.....	U082201-13.....	\$625.28
70	Bottom No. 3 Panel Former.....	U082201-32.....	\$121.52
75	Nut Plate.....	MS21047-L08.....	\$0.56
76	Aileron Hinge Bracket.....	U282005.....	\$222.66
76A	Airframe Bolt.....	AN3-12A.....	\$0.32
76A	Flat Washer (AN960-616).....	NAS1149F0663P.....	\$0.11
77	Anchor Nut.....	K1000-3.....	\$0.26
78	Anchor Nut.....	MS21051L3.....	\$0.50
80	Inter-Spar Wing Strut Fitting Assembly, Right.....	582216-1.....	\$36.17
81	Airframe Bolt.....	AN3-12A.....	\$0.32
82	Flat Washer (AN960-616).....	NAS1149F0663P.....	\$0.11
83	Aileron Hinge Bracket.....	U282005.....	\$222.66
84	Anchor Nut.....	K1000-3.....	\$0.26
85	Airframe Bolt.....	AN3-4A.....	\$0.20
86	Flat Washer (AN960-10).....	NAS1149F0363P.....	\$0.08
87	Self-Locking Nut (AN365-1032).....	MS21044N3.....	\$0.51
91	Wingtip Spur, Left.....	U582209-2.....	\$90.26
92	Wingtip Spur, Right.....	U582209-3.....	\$90.26
93	Rear Wingtip Spar, Left.....	U082203-4.....	\$188.44
94	Rear Wingtip Spar, Right.....	U082203-5.....	\$188.44
95	Airframe Bolt.....	AN3-4A.....	\$0.20
96	Flat Washer (AN960-10).....	NAS1149F0363P.....	\$0.08
97	Self-Locking Nut (AN365-1032).....	MS21044N3.....	\$0.51
102	Bottom No. 5 Panel Former.....	U082201-32.....	\$121.52
104	Bottom No. 5 Panel Assembly, Left.....	U082201-16.....	\$631.07
105	Bottom No. 5 Panel Assembly, Right.....	U082201-17.....	\$631.07
108	Bottom No. 6 Panel Former.....	U082201-33.....	\$80.72
109	Bottom No. 6 Panel Skin, Left.....	U082201-48.....	\$178.56
109A	Bottom No. 6 Panel Skin, Right.....	U082201-480.....	\$177.71
110	Bottom No. 6 Panel Assembly, Left.....	U082201-18.....	\$797.09
111	Bottom No. 6 Panel Assembly, Right.....	U082201-19.....	\$797.09
112	Type A Recessed Screw, Zinc Plated.....	6X3/8-TRA.....	\$0.06
115	Rubber Grommet (AN931-5-9).....	MS35489-9.....	\$0.78
117	Sleeve Coupling.....	AN819-3D.....	\$1.00
120	Bottom No. 4 Panel Assembly, Left.....	U082201-14.....	\$637.26
121	Bottom No. 4 Panel Assembly, Right.....	U082201-15.....	\$637.26
124	Bottom No. 4 Panel Former.....	U082201-32.....	\$121.52
130	Root Nose Rib, Left.....	282134.....	\$182.03
131	Root Nose Rib, Right.....	282134-1.....	\$182.03
133	Type A Slotted Screw, Zinc Plated.....	4X1/4-PRA-SS.....	\$0.02
134	Wing Root Leading Edge Fairing, Left.....	U28249.....	\$50.61
135	Wing Root Leading Edge Fairing, Right.....	U28249-1.....	\$50.61
137	Leading Edge Nose Rib, Left/Right.....	282210.....	\$32.25
138	Leading Edge Nose Rib Assembly, Left/Right.....	482214.....	\$64.53
142	Leading Edge Rib, Left/Right.....	282210.....	\$32.25
145	Leading Edge Nose Rib, Left/Right.....	282210.....	\$32.25
148	Leading Edge Nose Rib Assembly, Left/Right.....	482214.....	\$64.53
150	Leading Edge Nose Rib, Left/Right.....	282210.....	\$32.25
152	Round Head Screw.....	AN515-6-4.....	\$0.03
155	Leading Edge Nose Rib, Left/Right.....	282210.....	\$32.25
156	Leading Edge Tip Nose Rib, Inboard, Left.....	282211.....	\$57.94
157	Leading Edge Tip Nose Rib, Inboard, Right.....	282211-1.....	\$57.94
158	Leading Edge Tip Nose Rib, Outboard, Left.....	282212.....	\$57.94
159	Leading Edge Tip Nose Rib, Inboard, Right.....	282212-1.....	\$57.94
160	Airframe Bolt.....	AN3-13A.....	\$0.30
162	Flat Washer (AN960-10).....	NAS1149F0363P.....	\$0.08
163	Self-Locking Nut (AN365-1032).....	MS21044N3.....	\$0.51
164	Airframe Bolt.....	AN6-15A.....	\$2.60
167	Self-Locking Nut (AN365-624).....	MS21044N6.....	\$0.58
168	Flat Washer (AN960-616).....	NAS1149F0663P.....	\$0.11
169	Lift Strut Assembly, Left.....	U082213.....	\$2,708.67
170	Lift Strut Assembly, Right.....	U082213-1.....	\$2,708.67
171	Tie Down Lug.....	182230.....	\$70.27
172	Airframe Bolt.....	AN6-15A.....	\$2.60
175	Flat Washer (AN960-616).....	NAS1149F0663P.....	\$0.11
176	Self-Locking Nut (AN365-428).....	MS21044N4.....	\$0.30
177	Flat Washer (AN960-616).....	NAS1149F0663P.....	\$0.11
178	Self-Locking Nut (AN365-624).....	MS21044N6.....	\$0.58
179	Outboard Wingtip Leading Edge Skin, Left.....	U082201-78.....	\$204.86
180	Outboard Wingtip Leading Edge Skin, Right.....	U082201-79.....	\$204.86
181	Front Wingtip Spar, Left.....	U082202-4.....	\$217.75
182	Front Wingtip Spar, Right.....	U082202-5.....	\$217.75
184	Wingtip Bow (Not Drilled For Lights), Left.....	U582208-202.....	\$682.88
185	Wingtip Bow (Not Drilled For Lights), Right.....	U582208-303.....	\$726.23
186	Wingtip Bow (Drilled For Lights), Left.....	U582208-2.....	\$691.62
187	Wingtip Bow (Drilled For Lights), Right.....	U582208-3.....	\$705.38
190	Front Spar Blank, Left.....	9445.....	\$446.98
191	Front Spar Blank, Right.....	9445.....	\$446.98
193	Self-Locking Nut (AN365-624).....	MS21044N6.....	\$0.58
194	Flat Washer (AN960-616).....	NAS1149F0663P.....	\$0.11
195	Universal, for Lower End Lift Strut.....	U18291.....	\$216.62
196	Airframe Bolt.....	AN6-46A.....	\$4.00