

ERCOUPE • FORNEY • ALON • MOONEY

CONTENTS

Univair is the Type Certificate holder for the Ercoupe 415 series, Forney, Alon, and M-10 Cadet. We have thousands of quality parts specifically for these airplanes. Many of our parts are made on the original tooling that was used when these great aircraft were being made. We also have distributor parts such as tires, batteries, tailwheels, and more.

Aileron	24
Bushings • Bearings	24
Center Section.....	25
Control Surfaces	25
Electrical System	26
Elevator.....	26
Engine • Cowling.....	27
Fin • Rudder	28
Frame.....	28
Fuel and Oil System.....	30
Furnishings	30
Instruments	31
Landing Gear	32
Manuals	33
Nose Gear.....	33
Service Assemblies.....	36
Service Kits	36
Spinners.....	40
Stabilizer.....	39
Wing	40

See Also:

Batteries	Section 13, page 227
Propellers.....	Section 16, page 263
Tires • Wheels • Brakes	Section 19, page 315
Windows • Windshields.....	Section 20, page 352

Many parts can be correctly identified by the nomenclature listed in this section. However, we suggest that you also have the correct parts manual for positive identification.

Aileron

Description	Part #	Price
Aileron Assembly, Left	F16001-L	\$1,940.63
Right.....	F16001-R	\$1,940.63
Tip Rib, Left.....	F16002-L	\$16.84
Right.....	F16002-R	\$16.84
Aileron End Rib, Left.....	415-16003-L	\$37.98
Right.....	415-16003-R	\$37.98
Aileron Inner Hinge Fitting Assembly	415-16005	\$29.15
Control Horn Assembly, Left.....	415-16013-L	\$352.04
Right.....	415-16013-R	\$352.04
Trailing Edge	415-16016	\$64.53
Upper Skin Reinforcement, Left	415-16017-3-L	\$3.64
Right.....	415-16017-3-R	\$3.64
Lower Skin Reinforcement, Left	415-16020-1-L	\$3.64
Right.....	415-16020-1-R	\$3.64
Lower Tip Skin Assembly, Left	415-16023-1-L	\$153.33
Right.....	415-16023-1-R	\$153.33
Aileron Center Hinge Fitting Assembly.....	F16031	\$212.14
Diagonal Rib, Left.....	415-16033-L	\$19.52
Right.....	415-16033-R	\$19.52
Aileron Upper Skin (Skin Only), Left.....	F16034-L	\$1,419.04
Right.....	F16034-R	\$1,419.04
Aileron Assembly Reinforcement	F16035	\$27.14
Aileron Lower Skin (Skin Only), Left.....	F16038-1-L	\$224.81
Right.....	F16038-1-R	\$224.81
Aileron Skin Reinforcement Kit	415-16039-5	\$15.19
Aileron (Mooney M-10 Cadet), Left.....	230025-001	\$4,030.93
Right.....	230025-002	\$4,030.93

Bushings • Bearings

Description	Part #	Price
Control Mast Support Bearing.....	AN201-K10A	\$4.55
Control Column Base Bearing (AN200-K4)	MS27640-4	\$24.20
Control Column Pushrod Bearing (MD36-14M)	GMM-3M-670	\$19.63
Bearing Cone, Goodrich 7.00 x 4 Wheel	08125	\$37.94
Bearing Race, Goodrich 7.00 x 4 Wheel.....	08231	\$21.40
Center Section Aileron		
Bellcrank Bearing (AN201-KP4A).....	MS27641-4G	\$21.84

Center Section

Description	Part #	Price
Fairing, Wing to Center Section		
Upper, Left.....	415-00014-L.....	\$47.86
Upper, Right.....	415-00014-R.....	\$47.86
Lower, Right.....	415-00015-R.....	\$11.40
Center Section Diagonal Rib**, Left		
Right.....	415-13004-R.....	\$87.27
Rear Beam Hinge*		
.....	F13009.....	\$58.31
End Rib, SN 1 to 112, Left		
Right.....	415-13014-R.....	\$93.51
Walkway Outer Rib Assembly*, Left		
Right.....	415-13015-R.....	\$123.91
Rib Assembly, Inner Walkway*, Left		
Right.....	415-13016-R.....	\$123.76
Trailing Edge Walkway Rib*, Left		
Right.....	415-13017-R.....	\$249.25
Trailing Edge Walkway End Rib*, Left		
Right.....	415-13018-R.....	\$94.24
Front Lower Fitting, Left		
Right.....	415-13021-R.....	\$294.99
Center Section Gusset**, Left		
Right.....	415-13023-R.....	\$23.09
Upper Fitting, Left		
Right.....	415-13025-R.....	\$294.99
Lower Rear Fitting, Left		
Right.....	415-13038-R.....	\$294.99
Walkway Box Upper Skin Assembly*, Left		
Right.....	415-13040-1R.....	\$212.14
Rear Beam Splice**		
.....	415-13049.....	\$93.42
Center Fillet, Left		
Right.....	415-13054-R.....	\$89.82
Trailing Edge Fillet		
.....	415-13055-L.....	\$232.70
Belly Skin Outer Bottom Stiffener, Left		
Right.....	415-13056-R.....	\$17.24
Belly Skin, Bare		
.....	F13058-1.....	\$320.91
Belly Skin, Inner Bottom Stiffener (F13058-3-L/R)		
.....	220019-L03.....	\$17.76
Center Section, Reinforcement**		
.....	415-13062.....	\$38.63
Shim		
.....	415-13065.....	\$2.55
Belly Skin Reinforcement Kit		
.....	415-13066.....	\$3.33
Rear Beam (Used in SK-9), Left		
Right.....	415-13103-R.....	\$423.27
Window Track Assembly, Left		
Right.....	415-13106-R.....	\$81.40
Window Track Bracket, Left		
Right.....	F13107-R.....	\$6.74
Reinforcement (Complies with AD 59-05-04)		
.....	F13109.....	\$20.11
Walkway Box End Rib Assembly, SN 813 and up*		
Left.....	F13114-L.....	\$522.10
Right.....	F13114-R.....	\$522.10
Front Fitting, Left		
Right.....	415-13121-R.....	\$98.57
Front Beam Upper Front and Rear Fitting, Left		
Right.....	415-13125-R.....	\$96.52

Front Beam Lower Rear Fitting, Left.....	415-13138-L.....	\$96.06
Right.....	415-13138-R.....	\$96.06
Shim.....	F13144.....	\$2.31
Walkway Box Lower Skin Assembly, SN 813 and up,		
Left.....	F13147-1-L.....	\$250.87
Right.....	F13147-1-R.....	\$250.87

*Parts included in SA-3, -3A, -4, -4A

**Parts included in SA-5

Fillet Assembly

Left Fillet Assembly.....	F13060-L.....	\$959.57
Right Fillet Assembly.....	F13060-R.....	\$959.57



Center Section Cap Strips

Upper (SN 1 to 812, 813 and up).....	F13027.....	\$3,185.27
Lower (SN 1 to 812).....	415-13028.....	\$4,168.96
Lower (SN 813 and up).....	415-13128.....	\$4,294.03

Control Surfaces

Description	Part #	Price
Rudder to Center Bellcrank Pushrod Assembly.....	415-52022.....	\$268.57
Bellcrank to Elevator Pushrod.....	415-52023.....	\$90.34
415-E and 415-G Bellcrank to Elevator Pushrod.....	415-52024.....	\$96.52
Stall Warning Spring.....	415-52026.....	\$22.59
Link.....	415-52027.....	\$26.97
Washer.....	415-52028.....	\$11.47
Center Section to Aileron Pushrod.....	F52034.....	\$173.16
Nose Gear Pushrod including Socket without Bearing.....	415-52035.....	\$190.34
Check Nut (52035-2).....	AN316-6.....	\$0.28
Column to Mast Pushrod.....	415-52036.....	\$190.34
Control Mast to Bellcrank Aileron Pushrod.....	415-52038.....	\$162.13
Control Column to Elevator Crank Pushrod.....	F52039.....	\$78.02
Control Mast Rudder Arm.....	F52040.....	\$89.92
Control Mast Support.....	F52047.....	\$513.33
Nose Landing Gear Pushrod Control Guide.....	F52056.....	\$8.19
Control Mast Assembly.....	F52057.....	\$739.19
Retainer Ring (52057-6).....	NAS50-137.....	\$1.39
Control Mast Shaft.....	415-52058.....	\$71.46
Control Mast Arm.....	415-52068.....	\$346.39
Trim Control Wire.....	F52070-33.....	\$41.08
Control Column Chain Assembly.....	415-52107.....	\$25.72
Control Shaft and Column Universal Joint.....	415-52113.....	\$281.74
Elevator Control Stop.....	415-52115.....	\$12.28
Taper Pin (52117-16).....	AN386-1-6.....	\$12.90
Control Column Assembly.....	F52118.....	\$1,125.98
Control Column Sprocket Bushing (Oilite A626-3).....	F52118-6.....	\$2.45
Upper and Lower Control Column Bushing.....	415-52119.....	\$63.41
Control Column Inner Shaft Assembly.....	F52129.....	\$1,203.76
Control Column Base Assembly.....	F52135.....	\$204.31
Control Column Quadrant (Complies AD 54-26-02).....	415-52137.....	\$233.86

Control Column Sprocket Assembly.....	415-52140	\$74.30
Control Column Shim	415-52149	\$2.90
Control Wheel Guide	415-52150	\$46.20
Lubricating Control Wheel Shaft Washer	415-52152	\$1.32
Quadrant Stop Bolt	F52169-2	\$34.32
Quadrant to Chain Cable Assembly	415-52172-S	\$118.61
Elevator Arm (SN 113 to 4868, 4877 and up).....	415-52204	\$102.14
Elevator Arm Large Bushing (Oilite A710-3).....	415-52204-1	\$4.72
Elevator Arm Small Bushing (Oilite S301-A).....	415-52204-2	\$4.72
Elevator Control Rear Bracket.....	415-52207-1	\$21.59
Elevator Horn and Bracket Assembly, less Cable.....	415-52208	\$168.37
Elevator Arm Shaft.....	415-52208-1	\$16.04
Elevator Control Cable.....	415-52225	\$233.89
Center Section Elevator Cable Fairlead	415-52226	\$3.64
Center Section Rudder Cable Fairlead	415-52227	\$5.12
Elevator Control Center Section Arm Assembly	415-52228	\$42.43
Front Beam Trim Cable Fairlead.....	415-52237	\$3.64
Elevator Trim Control Spring.....	415-52242	\$4.09
Center Section Front Beam Elevator Control Assembly.....	F52245	\$337.63
Fork (52245-5).....	AN161-32RS	\$19.66
Elevator Control Arm Bushing	415-52246	\$2.90
Front Beam and Diagonal Rib Fairlead (SN 123 to 1623)	415-52247	\$5.35
Instrument Panel Trim Unit Assembly (SN 123 to 1623)	415-52255	\$312.88
Worm Gear Assembly.....	415-52263	\$164.05
Elevator Trim Cable (SN 123 to 1623).....	415-52268	\$64.19
Trim Crank Handle (SN 123 to 1623).....	415-52269	\$30.38
Trim Unit Drum Guard.....	415-52271	\$18.47
Stabilizer Trim Wire Flexible Conduit	F52274	\$101.31
Trim Wire Conduit	415-52275	\$87.18
Trim Flexible Conduit (SN 1623 to 4423)	415-52277	\$81.11
Trim Flexible Conduit (SN 4424 and up)	F52281	\$78.17
Aileron Bellcrank Assembly.....	F52305	\$467.93
Aileron Bracket Assembly, Left.....	F52306-L	\$305.94
Right.....	F52306-R	\$305.94
Aileron Bracket and Bellcrank Assembly, Left	F52307-L	\$620.86
Right.....	F52307-R	\$620.86
Elevator Control Bellcrank Bushing	415-52404	\$3.33
Crank.....	415-52420	\$34.45
Rudder Cable Assembly.....	415-52423	\$83.96
Stabilizer Bellcrank and Bracket Assembly.....	415-52424	CALL
Tube Bushing	415-52404	\$3.33
Stabilizer (Rudder Bellcrank) Bracket.....	F52425	\$366.57
Rudder Bellcrank Spacer	415-52426	\$0.83
Rudder Bellcrank Assembly.....	415-52427	\$427.10

Original Control Wheel for Ercoupe

Control Wheel, For SN 1 to 4423	
415-52055-6	\$44.94
415-C Control Wheel Shaft	
415-52055-2	\$257.11
415-D Control Wheel Shaft	
415-52069-2	\$257.11
Hub Covers – with Ercoupe logo	
Red	52055-ERC-RED \$52.00
Black.....	52055-ERC-BLK \$52.00
Maroon.....	52055-ERC-MAR \$45.00



Hub cover
(sold separately)

Electrical System

Description	Part #	Price
Battery Box, with Extended Sides (excludes lid)	415-54035	\$302.72
Battery Box Wing Bolt Assembly.....	415-54037	\$22.26
Battery Box Cover, with Rubber Seal	415-54040	\$314.81
Master Switch Nameplate	415-54045	\$5.12
Starter Cable to Starter Arm Rod End.....	415-54046	\$13.34
Master Switch Guard.....	415-54047	\$28.33
Battery Box Decal.....	415-54062	\$11.22
Master Switch (487-793, 53071-4)	AN3023-3	\$30.00

Wing Landing Light Lens

• Clear	
F14099.....	\$72.60



Clear Tail Cone Lens

• For new style tail cone	
470011-013	\$99.75



Elevator

Description	Part #	Price
Elevator Beam.....	F22002	\$172.93
End Hinge	415-22007	\$50.03
Center Hinge	415-22008	\$102.67
Trailing Edge (415-22011)		
(For use on airplanes with trim tabs only).....	415-22023	\$21.74
Horn Assembly.....	415-22016	\$23.44
Elevator Horn Bushing (Oilite), A304-16	415-22016-1	\$2.65
Upper Elevator Skin (skin only)	415-22019-1	\$256.57
Trim Tab Hinge	415-22026	\$167.53
Trim Tab Assembly (model 415-C).....	415-22027	\$212.14
Trim Tab Horn.....	415-22028	\$2.65
Trim Tab Assembly (models 415-CD and 415-D)	415-22031	\$302.78
Trim Tab Assembly (model 415-E).....	415-22032	\$82.13
Trim Tab Hinge (model 415-E)	F22033	\$65.81
Trim Tab Spring (model 415-E) (22035).....	SK-288	\$9.05
Upper Skin, Right.....	415-22037-1	\$59.76
Left	415-22037-2	\$59.76
Lower Skin, Right.....	415-22037-3	\$46.16
Left	415-22037-4	\$94.78
Lower Center Skin	415-22037-5	\$41.42
Center Rib (415-22037-6)	430040-000	\$23.87
Intermediate Rib	415-22037-7	\$25.45
Center Rib, Left (22037-8-L/R)	F22043	\$45.99
Right (22037-9-L/R).....	F22044	\$45.99
Control Arm (22037-14).....	F22047	\$26.71

Spar Stiffener (22037-15)	F22048	\$10.04
Tab Hinge Spacer	415-22037-17	\$3.64
Upper Stop Tab.....	415-22037-30	\$5.54
Upper Center Skin	415-22037-31	\$37.37
Split Elevator Center Hinge	F22038	\$47.98
Ercoupe Split Elevator, for 415-E (SN 4482 and up), 415-G, Forney F-1, F-1A, Alon A-2, A-2A	415-22037	\$2,666.73
Ercoupe Kit (complies with Service Bulletin 35)	SK-83	\$104.24

“Straight” Elevator Assembly with Trim Tab

- 1¾” moveable trim tab
- Replacement elevator for C-75 and C-85 powered models
- Applicability: Ercoupe 415-C, CD and -D, serial numbers 113 to 4481
- Please specify serial number when ordering



Elevator Assembly.....415-22017**\$3,187.22**

Engine • Cowling

Description	Part #	Price
Engine Cowl Support Upper Longitudinal, Left	415-40038-L	\$218.23
Right.....	415-40038-R	\$218.23
Bottom Longitudinal Assembly, DZUS type, Left.....	415-40047-L	\$176.18
Right.....	415-40047-R	\$176.18
Cabin Heater Box Assembly.....	F40074	\$247.12
Upper Cowl Bracket Longitudinal Assembly, Left.....	415-40080-L	\$76.28
Right.....	415-40080-R	\$76.29
Lower Cowl Bracket Longitudinal Assembly, Left.....	415-40081-L	\$39.23
Right.....	415-40081-R	\$39.23
Spinner Bracket.....	415-40150	\$6.23
Bottom Exit Cooling Baffle Assembly.....	415-40169	\$41.93
Front Baffle Strap Tube.....	415-40196	\$5.64
Baffle Strap Barrel Tube.....	415-40197	\$4.49
Head Baffle Strap Rear Tube.....	415-40198	\$3.07
Side Cowl Gusset.....	415-40245	\$18.50
Bottom Cowl Cover Plate.....	415-40252	\$82.13
Side Baffle, Right	415-40404	\$145.79
Left	F40405	\$142.30
Rear Head Strap	415-40406	\$39.85
Front Head Strap.....	415-40407	\$39.67
Head Filler Baffle.....	415-40411	\$14.20
Front Barrel Strap.....	415-40412	\$29.09
Rear Barrel Strap.....	415-40413	\$17.71
Exit Attaching Barrel Clip	415-40424	\$3.47
Carburetor Heater Opening Spring.....	415-40435	\$15.72
Baffle Attaching Spring.....	415-40453	\$5.97
Exit Attaching Head Clip.....	415-40455	\$5.12
Barrel Baffle Support Center Strap Assembly	415-40457	\$71.48
Center Head Baffle Support Strap Assembly	415-40459	\$77.16
Right Rear Baffle Assembly.....	F40461	\$379.81

Left Rear Baffle Assembly (use with Oil Cooler Kit)	415-40473	\$531.20
Rear Baffle Attach Clip, Left	415-40490-L	\$2.09
Right.....	415-40490-R	\$2.09
Oil Sump Cooling Scoop Assembly	415-40480	\$270.28
Right Side Scoop	415-40486	\$17.66
Left Side Scoop.....	F40485	\$33.25
Front Head Baffle Attach Clip, Left	415-40491-L	\$2.09
Right.....	415-40491-R	\$2.09
Top Left Baffle.....	F40496	\$108.90
Top Right Baffle	F40497	\$106.24
Oil Sump Baffle Strap.....	415-40502	\$30.47
Mixture Control Attach Bracket	415-40503	\$5.12
Left Rear Baffle without Oil Radiator	F40504	\$223.75
Throttle Attach Bracket	415-40506	\$30.84
Flex Tube to Shroud Attach Fitting	415-40519	\$77.96
Left Front Inner Baffle.....	415-40525	\$15.84
Left Front Baffle	415-40526	\$22.16
Heater Box Air Control Guide.....	415-40528	\$4.49
Winter Front Cover Plate	415-40554	\$36.72
Longitudinal Assembly, CAMLOC, Left.....	F40558-L	\$149.42
Right.....	F40558-R	\$149.42
Right Front Baffle.....	F40569	\$59.96
Starter Cable Support Bracket, SN 4424 and up.....	415-40591	\$17.44
Spinner Dome, Metal Propeller	F40594	\$366.56
Rubber Baffle, 85hp	415-40597	\$33.25
Rubber Baffle, 85hp.....	415-40598	\$33.25
Oil Sump Baffle Assembly	415-40599	\$225.40

Nose Cowl Mounting Rings

- Mounting Ring For DZUS Fastener Cowl (SN 1 to 2623)
- 415-40244D **\$897.20**
- Mounting Ring For CAMLOC Fastener Cowl (SN 2624 and up)
- 415-40244C **\$897.20**



Side Cowl Assembly

- Side Cowl, DZUS Fasteners
- Right.....
- 415-40090-R **\$940.18**
- Left
- 415-40090-L **\$940.18**
- Side Cowl, CAMLOC Fasteners
- Right.....
- F40559-R **\$677.45**
- Left
- F40559-L **\$677.45**



Frame Tank Filler Neck Grommet

F40430..... **\$20.84**



Aluminum Nose Cowl Assembly

- Without cold air intake hole
- 415-40451..... **\$1,176.98**
- With cold air intake hole (pictured)
- 415-40460..... **\$1,198.40**



Cowling Nameplate

While they last!

- Aluminum
- Red with black lettering
- Approximately 10 inches wide by 7 inches tall



Left Side Nameplate.....415-00012 **\$56.43**
 Right Side Nameplate415-00011 **\$56.43**

Top Cowl

For SN 1 to 2622.....415-40422 **\$773.84**
 For SN 2623 and up.....F40532 **\$773.84**



Bottom Cowl

- Less cover plate

415-40040 **\$834.36**



Engine Rubber Shock Mounts

- For C series Continentals
- Priced and sold individually

U22387A **\$5.21**



Spark Plug Fairings

Mooney – approximately 17" long Ercoupe – approximately 14.75" long

Mooney Fairing F40253 **\$99.72**
 Ercoupe Fairing 415-40428 **\$114.94**



Cowl Door Stiffeners

Left F40036-L **\$96.48**
 Right F40036-R **\$96.48**

Carburetor Induction Manifold

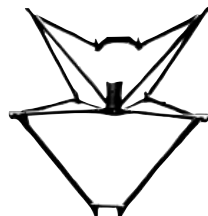
- Applicability: Continental A-65, C-75, C-85, and C-90 engines
- U35145 **\$359.60**
- Applicability: Continental O-200 engine
- U35145-A1 **\$477.48**



Ercoupe Engine Mount

- Applicability: All Ercoupe 415 series
- Supersedes part number 415-31920

F31920 **\$2,871.24**



Exhaust System

- Applicability: Ercoupe 415 series and early Forney

Exhaust Stack, Stainless Steel

LeftU-415-40401-S **\$1,023.36**
 Right.....U-415-40402-S **\$1,023.36**
 Muffler 415-40511-1 **\$901.14**
 Muffler Attach Clamp.....415-40167 **\$91.84**
 Carburetor Heat Shroud415-40520 **\$216.10**
 Cabin Heat Shroud415-40515 **\$285.97**

Air Filter Screen

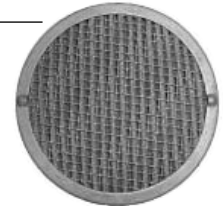
Paper Type • For 415 Series

Filter Screen415-40585-1 **\$87.73**

Foam Type • For 415 Series

Filter Element..... BA-8805 **\$9.29**

Filter Assembly BA-8810 **\$48.42**



Fin • Rudder

Description	Part #	Price
Fin Assembly, Left	F23001-L	\$812.40
Right.....	F23001-R	\$812.40
Rudder Assembly, Left	F24001-L	\$920.72
Right.....	F24001-R	\$920.72
Mounting Bolt Spacer	F24001-17	\$1.64
Rudder Control Horn, Left	F24002-L	\$173.84
Right.....	F24002-R	\$173.84
Hinge Assembly	F24003	\$31.21
Rudder Skin,		
Inboard Left, Outboard Right.....	F24013-1-L	\$176.91
Inboard Right, Outboard Left.....	F24013-1-R	\$176.91
Rib Assembly, Left.....	F24015-L	\$81.60
Right.....	F24015-R	\$81.60
Rudder Rib Kit (comply with AD 59-25-05).....	SK-36	\$270.38
Rudder (Mooney M-10)	460044-001	\$2,300.15
Dorsal Fin (Mooney M-10)	350178-000	\$175.22

Frame

Description	Part #	Price
Forward Lower Skin	415-31007-1	\$574.31
Upper "B" Frame.....	F31009	\$79.32
Frame "E" Bracket.....	F31012-2	\$1.20
Frame Assembly "F"	415-31013	\$429.11
Frame Assembly "G"	415-31014	\$103.89
Frame Assembly "H"	F31015	\$81.92
Frame Assembly "I"	F31016	\$90.15
Frame Assembly "J"	F31017	\$100.61

Frame Assembly "K".....	F31018	\$132.03
External Longeron, Left.....	F31019-L	\$281.74
Right.....	F31019-R	\$281.74
Cone Reinforcement.....	415-31023	\$213.53
Stabilizer Mount Frame.....	415-31032	\$39.82
Inner Skin Assembly.....	415-31035	\$320.09
Tail Fairing Assembly.....	F31039	\$1,086.19
Windshield Trim Cover.....	415-31041	\$171.45
Frame Lower Control Support, Left.....	415-31044-L	\$69.81
Right.....	415-31044-R	\$69.81
Frame Upper Control Support, Left.....	415-31045-L	\$78.59
Right.....	415-31045-R	\$78.59
Frame Rear Stiffener.....	415-31046	\$473.27
Reinforcement Angle.....	415-31052-7	\$70.92
Reinforcement Angle.....	415-31052-8	\$101.37
Bottom Skin Former, Left.....	415-31054-L	\$10.40
Right.....	415-31054-R	\$10.40
Upper Firewall Fitting, Left.....	415-31062-L	\$189.77
Right.....	415-31062-R	\$189.77
Lower Firewall Fitting, Left (F31063-L).....	600264-L00	\$212.03
Right.....	F31063-R	\$212.03
Antenna Support.....	F31068	\$7.01
Engine Top Cowl Support Bumper.....	F31076	\$5.74
Frame Channel.....	415-31089	\$39.26
Stiffener.....	415-31091-1	\$6.14
Stiffener.....	415-31091-2	\$6.14
Bottom Tail Cone Skin.....	415-31092	\$450.22
Side Tail Cone Skin, Left.....	415-31093-1L	\$487.46
Right.....	415-31093-1R	\$487.46
Top Tail Cone Skin.....	415-31094	\$467.19
Lower Firewall Skin (Skin Only).....	415-31099-1	\$162.96
Lower Frame "B" (415-31100).....	415-31100-1	\$194.37
Lower Half Frame "C".....	415-31101	\$456.29
Support, Left.....	415-31105-L	\$30.38
Right.....	415-31105-R	\$30.38
Frame "A" to "C" Lower Stiffener, Left.....	F31106-L	\$224.56
Right.....	F31106-R	\$224.56
Frame "A" to "B" Lower Longitudinal, Left.....	415-31107-L	\$125.53
Right.....	415-31107-R	\$125.53
Frame "A" to "B" Stiffener, Left.....	415-31108-L	\$13.81
Right.....	415-31108-R	\$13.81
Frame "A" to "C" Stiffener, Left.....	F31109-L	\$67.76
Right.....	F31109-R	\$67.76
Frame "A" to "B" Upper Longitudinal, Left.....	415-31110-L	\$30.80
Right.....	415-31110-R	\$30.80
Frame "A" to "C" Upper Longitudinal, Left.....	415-31111-L	\$389.72
Right.....	415-31111-R	\$389.72
Gas Tank Support, Left.....	415-31112-L	\$89.45
Right.....	415-31112-R	\$89.45
Stiffener Assembly, Left.....	F31113-L	\$25.69
Right.....	F31113-R	\$25.69
Frame "E" to "F" Lower Stiffener, Left.....	F31114-L	\$32.80
Right.....	F31114-R	\$32.80
Frame "D" to "F" Upper Stiffener, Left.....	415-31115-L	\$26.46
Right.....	415-31115-R	\$26.46
Frame "E" to "F" Upper Stiffener, Left.....	415-31116-L	\$26.46
Right.....	415-31116-R	\$26.46

Frame Tank Brace, Left.....	415-31118-L	\$8.00
Right.....	415-31118-R	\$8.00
Lower Firewall Reinforcement.....	415-31125	\$16.48
Firewall Reinforcement.....	415-31126	\$6.14
Windshield Weatherstrip, 65 inch.....	415-31130	\$29.50
Rear Window Sealing Rubber, 48 inch.....	F31131-1	\$27.54
Top Windshield Sealing Rubber.....	F31131-2	\$34.31
Frame Fuel Tank Sealing Rubber.....	F31131-3	\$24.47
Frame "E" to "F" Lower Stiffener, Left.....	F31133-L	\$40.36
Right.....	F31133-R	\$40.36
Gas Gauge Bracket.....	415-31137	\$4.09
Frame "D" Upper Support.....	415-31142	\$76.28
Attaching Bracket, Left.....	F31143-L	\$11.55
Right.....	F31143-R	\$11.55
Frame "D" Assembly (without Upper Support 31142).....	F31144	\$880.41
Upper Channel, Left.....	F31145-L	\$96.45
Right.....	F31145-R	\$96.45
Front Window Track Channel, Left.....	415-31146-L	\$43.10
Right.....	415-31146-R	\$43.10
Channel, Left.....	415-31147-L	\$50.12
Right.....	415-31147-R	\$50.12
Front Windshield Frame.....	415-31150	\$207.74
Frame "D" Upper Splice Plate.....	415-31152	\$2.98
Floor Support.....	415-31154	\$47.55
Bottom Skin.....	F31160-1	\$67.76
Side Skin, Left.....	F31160-2-L	\$506.45
Right.....	F31160-2-R	\$506.45
Top Skin.....	F31160-3	\$1,187.21
Junction Box (31160-17).....	40099	\$6.54
Floor Assembly Support.....	415-31163	\$12.15
Floor Support.....	415-31169	\$112.93
Fitting Assembly, Left.....	415-31184-L	\$60.46
Right.....	415-31184-R	\$60.46
Mounting Bracket.....	415-31187	\$6.15
Plate (31194).....	415-31194-L	\$102.36
Windshield Strip Assembly.....	415-31204	\$200.68
Trim Crank Nameplate (SN 1623 to 4423).....	415-31211	\$36.65
Plate.....	415-31212	\$151.45
Panel to "B" Panel Brace.....	415-31228	\$13.12
Frame "A" to "C" Upper Longitudinal.....	415-31229	\$71.46
Upper to Lower Firewall Stiffener.....	F31235-1	\$38.96
Panel to Frame Tank Panel Brace.....	F31237	\$8.62
Front Frame Upper Felt Pad.....	415-31238	\$4.89
Panel to Firewall Throttle Brace.....	F31239	\$74.83
Throttle to Brace Throttle Clamp.....	415-31241	\$42.43
Rear Section Upper Front Frame Skin.....	F31245-1	\$180.57
Frame "A" to "C" Side Skin, Left.....	F31245-2-L	\$515.86
Right.....	F31245-2-R	\$515.86
Forward Section Upper Front Frame Skin.....	F31245-5	\$314.37

Ercoupe Firewall

• *Stainless steel*

415-31078 **\$1,139.03**



Fuel and Oil System

Description	Part #	Price
Oil Gauge to Firewall Tube Assembly		
Flared Ends Short.....	415-47016	\$51.01
Flared Ends Long	415-47116	\$26.26
Hose Fitting Forward	F47117	\$25.83
Fuel Gauge Sight Tube.....	415-48011	\$195.35
Sight Tube Washer.....	415-48014	\$2.65
Sight Tube Gasket.....	415-48016	\$3.04
Filler Cap Gasket.....	A48049-S	\$6.41
Left Tank to Tee Tube Assembly – Steel Tanks		
(SN 113 to 3220)	415-48060	\$60.49
Shut-Off Valve to Firewall Tube Assembly	415-48061	\$100.49
Frame Tank to Right Tank Overflow Tube Assembly		
(SN 113 to 2622)	415-48062	\$16.04
Firewall to Frame Tank Valve Tube Assembly.....	415-48063	\$22.16
Frame Tank to Firewall Tube Assembly, Pump Pressure		
(SN 113 to 2622)	415-48064	\$13.97
Tee to Primer Tube Assembly	F48067	\$72.49
Primer to Firewall Tube Assembly	F48068	\$21.52
Firewall to Primer Jet Tube Assembly.....	F48075	\$39.40
Filter Bowl Support.....	415-48076	\$48.88
Fuel Shut-Off Shaft and Handle Assembly		
(SN 113 to 2622)	415-48078-1	\$243.35
Wing Gauge Vent Tube (Steel Tank).....	415-48089	\$18.47
Union to Firewall Tube Assembly Pump Suction		
(SN 2623 to 3467)	415-48090	\$25.78
Filter Bowl Forward Support.....	415-48096	\$61.14
Aluminum Wing Tank Strainer Assembly	F48108	\$104.15
Aluminum Wing Tank to Tee Tube Assembly	415-48109	\$79.46
Tee to Cut-Off Tube Assembly Pump Suction		
(Aluminum Tank).....	415-48110	\$20.12
Gauge Ring (Aluminum Tank)	415-48113	\$4.09
Gauge Cover (Aluminum Tank).....	415-48119	\$5.46
Frame Tank to Left Tank Overflow Tube Assembly		
(SN 3221 to 3467)	415-48131	\$39.73
Firewall to Frame Tank Tube Assembly Pump Pressure		
(SN 3221 and up)	415-48132	\$22.16
Frame Tank to Fitting Overflow Tube Assembly		
(SN 3468 and up)	415-48133	\$17.47
Fitting to Left Tank Overflow Tube Assembly		
(SN 3468 and up)	415-48134	\$28.72
Aluminum Wing Tank Fuel Gauge Cover.....	F48138	\$121.62
Shut-Off to Tee Tube Assembly Pump Suction		
(SN 4424 and up)	F48149	\$25.69
Tee to Left Tank Overflow Tube Assembly		
(SN 4424 and up)	F48152	\$23.37
Tee to Right Tank Overflow Tube Assembly		
(SN 4424 and up)	F48156	\$27.48
Frame Tank to Tee Overflow Tube Assembly		
(SN 4424 and up)	F48157	\$34.86
Wing to Tee Tube Assembly (SN 4424 and up)	415-48155	\$15.78
Tee to Tee Interconnecting Tube Assembly		
(SN 2623 to 3220)	415-48159	\$179.75

Tee to Elbow Overflow Tube Assembly		
(SN 2623 to 3220)	415-48161	\$15.62
(SN 2623 to 3220)	415-48162	\$80.63
Frame Shut-Off to Firewall Tube Assembly.....	415-48163	\$39.73
Frame Shut-Off to Firewall Tube Assembly.....	F48166	\$40.92
Fuel Tube Assembly.....	415-48164	\$42.07
Fuel Tube Assembly (SN 3468 and up)	F48167	\$25.06
Union to Firewall Tube Assembly (SN 3468 and up).....	415-48165	\$21.34
Reducer to Elbow Service Line	415-48175	\$12.72
Reducer to Left Wing Tank Service Line.....	415-48176	\$19.29
Tube Assembly – Forward Side of Frame “D” to		
Frame Tank Service Line	415-48177	\$20.12
Fuel Tank Cap and Gasket Assembly,		
(Late Alon and M-10), Thermos Type.....	610014-001	\$70.15
Tube Assembly – Cut-Off to Union.....	415-48188	\$14.16
Oil Pressure Hose.....	F48201-1	\$67.86
Pump Hose.....	F48201-3	\$72.85
Carburetor Hose	F48201-4	\$51.15
Oil Breather Hose	F48201-5	\$16.35
Oil Breather Tube (48201-6).....	SK-38	\$339.59

6 Gallon Frame Tanks

- *Applicability: Ercoupe, SN 2623 and up, welded aluminum*
U-415-48145.....**\$2,243.02**
- *Applicability: Forney, Alon*
A48301.....**\$1,981.89**
- *Applicability: Mooney M-10 Cadet*
610181-501.....**\$1,856.10**



Welded 9 Gallon Wing Tanks

- *Applicability: Forney, Alon, and Mooney M-10 models with gauge in left tank*

Left Tank (48147)	
610182-501	\$2,764.79
Right Tank	
610182-503	\$2,843.41



Fuel Caps for 9 Gallon Tanks

Fuel Cap, with Breather Hole.....	415-48073	\$82.50
Fuel Cap, Unvented (SN 4424 and up).....	F48183	\$52.64

Furnishings

Description	Part #	Price
Seat Bottom Assembly.....	415-53004	\$663.24
Seat Back Side Member, Left.....	415-53007-L	\$381.96
Right.....	415-53007-R	\$381.96
Seat Back Top Rail	415-53008	\$106.79
Seat Back Bottom Rail.....	415-53009	\$40.61

Seat Back Center Member	415-53010	\$65.72
Gusset	415-53013	\$8.19
Seat Back Frame (53016-A)	415-53016-B	\$1,311.34
Lower End Stiffener	F53022-2	\$16.24
Sliding Window Stiffener Assembly	F53022-3	\$45.67
Right Window Assembly, Clear	415-53023	\$479.88
Male Lower End Assembly (53024A)	415-53052-3	\$48.20
Left Window Assembly, Clear	F53024	\$554.02
Safety Belt Fastener Shackle	415-53037	\$7.13
Clear Sliding Window, Lexan only	F53041	\$73.45
Tinted Sliding Window, Plexiglas® only	F53041G	\$82.42
Seat Back Lower Gusset	415-53046	\$4.49
Seat Back Center Member to Top Clip Bracket	415-53047	\$4.49
Outside Handle	F53048	\$26.23
Female Upper End Frame	415-53051	\$31.87
Lower End Frame Half	415-53052-2	\$20.06
Green Tint Sunshade, Glass Only	415-53057G	\$69.05
Smoke Tint Sunshade, Glass Only	415-53057S	\$69.05
Slanting Floorboard Assembly	F53059-1	\$83.96
Lower Floorboard Assembly	F53069	\$153.86
Floorboard Cover Plate	415-53070	\$87.84
Rear Deck	415-53071-1	\$65.49
Inside Handle	415-53075-1	\$20.32
Outside Handle	415-53075-2	\$20.32
Window Bolt	415-53076	\$3.64
Floorboard Support	F53080	\$17.47
Map Compartment, Left	415-53108-L	\$30.81
Right	415-53108-R	\$30.81
Side Cabin Soundproofing, Left	415-53137-L	\$6.57
Right	415-53137-R	\$6.57
Lower Firewall Soundproofing	415-53138	\$6.57
Upper Firewall Soundproofing	415-53139	\$10.31
Rug Assembly	F53174	\$130.80
415-G Rug Assembly	F53174-G	\$47.57
Map Compartment Mounting Clip	415-53209	\$10.23
Draft Seal, Left	F53212-L	\$31.25
Right	F53212-R	\$31.25

Ercoupe Window Welts

- 2 required per plane
- Priced and sold individually



415-53169 **\$49.20**

Ercoupe Baggage Compartment

415-53175 **\$107.72**



If you don't find the part you need, be sure to give us a call. We are here to help you with all of your classic aircraft needs!

Instruments

Description	Part #	Price
Pitot Tube Assembly	F51002	\$266.32
Non-Spin Characteristic Nameplate (SN 113 to 812)	415-51007	\$6.14
Fuel Shut-Off Dial Plate (SN 113 to 4423)	415-51019	\$4.09
Glove Compartment Door Spring	415-51020	\$4.49
Glove Compartment Knob (51021)	415-52244	\$2.45
Glove Compartment, Left	415-51028-L	\$84.01
Right	415-51028-R	\$84.01
Phenolic Guide (51041)	415-52150	\$46.20
Ignition Switch (51029-1)	10-357290-1	\$414.05
Instrument Panel Trim Strip (SN 113 to 4423)	415-51045	\$36.15
Throttle Assembly (SN 113 to 4423)	415-51048	\$305.94
Starter Control (SN 113 to 4423)	415-51052	\$26.71
Compass Card Cover (SN 113 to 4423)	415-51062	\$1.64
Elevator Trim Control Plate (SN 123 to 1622)	415-51064	\$4.49
Brake Control (SN 113 to 4423)	415-51065	\$151.35
Cabin Heat Control	415-51069	\$101.40
Mixture Control (SN 113 to 4423)	415-51070	\$26.71
Characteristic Name Plate (SN 3623 to 4424)	415-51078	\$14.36
Wheel Guide Control Packing	F51083-26	\$2.08
Panel Top Overlay (SN 4423 and up)	415-51084	\$39.99
Panel Bottom Overlay	415-51085	\$63.27
Trim Control Arm, without Handle (SN 4423 and up)	415-51089	\$8.42
Throttle Control, Female Handle (SN 4424 to 4868)	415-51090-1	\$16.48
Throttle Control, Male Handle (SN 4424 to 4868)	415-51090-2	\$16.48
Trim Arm, without Handle (SN 4424 and up)	F51091	\$28.54
Trim Control Collar (SN 4424 and up)	F51092	\$139.41
Trim Control, Female Handle (SN 4424 to 4868)	415-51093-1	\$12.28
Trim Control, Male Handle (SN 4424 to 4868)	415-51093-2	\$12.28
Throttle Catch Pawl (SN 4424 and up)	415-51094	\$9.41
Glove Compartment Door (SN 4424 and up)	415-51096	\$210.81
Throttle Catch Barrel (SN 4424 and up)	415-51098	\$164.23
Throttle Catch Disc (SN 4424 and up)	415-51099	\$38.68
Square Knob Control (415 C and D)	415-51104	\$74.23
Carburetor Heat Control	415-51105	\$121.88
Starter Control (SN 4424 and up)	F51106	\$309.12
Trim Cable Clamp (SN 4424 and up)	415-51108	\$6.74
Trim Torque Tube Support (SN 4424 and up)	415-51109	\$16.02
Bellcrank and Torque Tube (SN 4424 and up)	F51111	\$126.45
Throttle Quadrant Spring Retainer Screw (SN 4424 and up)	415-51112	\$7.13
Trim and Throttle Control Quadrant Bearing	F51114	\$9.22
Throttle Catch Spring (SN 4424 and up)	415-51116	\$1.16
Throttle Control Shaft (SN 4424 and up)	415-51117	\$36.96
Throttle Catch Ratchet Washer (SN 4424 and up)	415-51119	\$0.83
Trim Nameplate (SN 4424 and up)	415-51121	\$10.23
Quadrant Housing (SN 4424 and up)	F51123	\$41.04
Throttle and Trim Control Quadrant Assembly (SN 4424 and up)	F51124	\$734.08
Trim Panel (SN 4877 and up)	415-51125	\$9.05
Bottom Overlay (SN 4424 to 4868)	415-51133	\$46.16
Navigation Light Plate	415-51135	\$11.27
Characteristic Nameplate, 415-D, -E	415-51136	\$11.27

Throttle Control Assembly (SN 4424 and up)	415-51138	\$304.54
Ercoupe Compass Plate (SN 4424 to 4868)	415-51140	\$13.76
Trim and Throttle Control Quadrant to Cable Rod (SN 4424 and up)	F51139	\$89.55
Ignition Switch Plate (SN 4424 and up)	415-51142	\$8.19
"No Smoking" Plate	415-51143	\$6.14
415-CD Plate (FAA letter required)	415-51149	\$93.55
415-E and 415-G Plate (FAA letter required)	415-51150	\$93.55
Cabin Air Control	415-51158	\$85.95
Front Antenna Bracket	415-51166	\$9.22
Fin Antenna Bracket	415-51167	\$4.09

Blank Instrument Panel

Modernize your Ercoupe panel!

Lay out your own instrument and radio arrangement using the Univair Blank Instrument Panel which has locating holes only for the two control columns. FAA field approval required.



Blank Instrument Panel	415-51081-B	\$416.41
------------------------------	-------------------	-----------------

Landing Gear

Description	Part #	Price
Lower Knee Joint Bushing*	415-33105	\$30.38
Piston End Assembly*	415-33109	\$39.82
Main Landing Gear Piston End Bushing (Oilite A515-11)	415-33109-1	\$19.03
Piston Cup*	415-33119	\$36.72
Knee Joint Shaft*	415-33128	\$119.44
Taper Attaching Washer*	415-33132	\$30.59
Upper Leg Assembly*, Left	415-33144-L	\$268.64
Right	415-33144-R	\$268.64
Piston Assembly*	415-33164	\$358.02
Main Landing Gear Assembly*, Left	415-33167-L	\$1,553.52
Right	415-33167-R	\$1,610.32
Lower Leg and Axle Assembly*, Left	415-33175-L	\$432.23
Right	415-33175-R	\$432.23
Main Landing Gear Lower Strut Attach Bushing*	415-33175-4	\$5.84
Wheel Retaining Nut*	415-33176	\$14.87
Wheel Bearing Spacer*	415-33178	\$25.29
Main Landing Gear Assembly**, Left	F33201-L	\$1,610.32
Right	F33201-R	\$1,610.32
Knee Joint Lock Nut**	F33201-18	\$6.14
Lock Washer**	F33201-19	\$4.09
Main Gear Brake Hose Kit*	SK-58	\$230.45
Lower Leg**, Left	F33203-L	\$432.23
Right	F33203-R	\$432.23
Leg and Axle Assembly**, Left	F33204-L	\$550.90
Right	F33204-R	\$550.90
Lower Leg Axle**	F33205	\$83.91

Bakelite Bushing**	415-33206	\$10.64
Knee Joint Pin**	415-33209	\$286.08
Rear Oleo Strut Fairing**	415-33211	\$99.50
Wheel Retaining Nut** (F33213)	MS21025-24	\$23.00
Main Landing Gear Collar**	415-33214	\$24.26
Knee Joint Bakelite Washer**	415-33215	\$7.17
Brake Housing Attach Screw**	415-33216	\$9.60
Landing Gear Screw**	415-33218	\$9.60
Upper Leg Assembly**, Left	F33221-L	\$466.14
Right	F33221-R	\$466.14
Knee Axle Bolt Lock Pin**	F33222	\$5.54
Piston Assembly**	F33226	\$349.91
Oil Hole Cover**	415-33229-2	\$1.41
Sleeve Assembly**	415-33230	\$160.13
Support	F33235	\$160.13
Flange	F33236	\$20.11
Lower Leg Bronze Bushing**	415-33239	\$4.09
Bumper Retainer	415-33245	\$5.21
Block	415-33246	\$14.23
Spacer (used in SK-35)	F33254	\$5.74
Upper Fairing Spacer*	415-33306	\$4.33
Lower Fairing Spacer*	415-33307	\$4.33
Reservoir to Master Cylinder Hose	415-33424-12	\$20.67
Brake Cylinder to Front Beam Tube Assembly	415-33428	\$21.34
Brake Lower Leg Tube Assembly*	415-33429	\$21.06
Tee to Left Landing Gear Tube Assembly*	415-33430	\$49.30
Tee to Right Landing Gear Tube Assembly*	415-33431	\$45.28
Brake Pedal Support, Left	415-33433-L	\$20.55
Right	415-33433-R	\$20.55
Brake Reservoir	U33443A	\$289.48
Bellcrank	415-33435	\$28.06
Brake Cable Bracket	415-33436	\$35.96
Brake Cylinder Support	415-33440	\$33.85
Pulley Guard	415-33442	\$18.83
Tube Fitting	415-33445	\$8.71
Brake Reservoir Plug	415-33447	\$9.57
Brake Cable Assembly	415-33448	\$55.37
Left Tee to Elbow Tube Assembly**	415-33455	\$23.62
Right Tee to Elbow Tube Assembly**	415-33456	\$24.80
Brake Elbow to Hose Tube Assembly**, Left	F33457-L	\$19.71
Right	F33457-R	\$19.71
Brake Pedal Arm	F33458	\$197.08

*Effective on serial numbers 113-812 **Effective on serial numbers 813 and up

Landing Gear Shock Pads and Spacers



• Priced and sold individually

Current rubber pads are a new, improved compound resulting from research performed for us by our supplier. This material has superior weathering qualities. It is unaffected by hydraulic fluid and has greater resistance to static load.

Pads, 8 required per plane	415-33115	\$8.94
Oleo Strut Cylinder Spacer, SN 813 and up 14 required per plane	415-33224	\$15.42

Cleveland Wheels & Brakes Conversion Kits

Ercoupe Conversion Kits

- Serial numbers 813 and up
- STC approved

199-06900..... **\$2,809.70**

- Serial numbers 113 to 812
- FAA field approval required

199-07100..... **\$2,220.89**



Main Landing Gear Fairings

- Serial numbers 813 and up
- Priced and sold individually

Main Landing Gear Fairings

Left 415-33210-L..... **\$144.71**

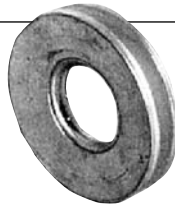
Right..... 415-33210-R..... **\$144.71**



Belleville Springs

- For Ercoupe main landing gear
- Replaces 33115 rubber shock pads
- 14 required per aircraft
- Priced and sold individually

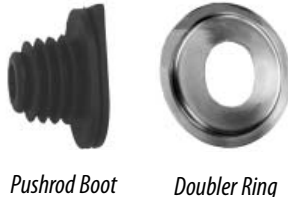
A33251 **\$90.45**



Ercoupe Steering Pushrod Boot and Ring

Made to fit original Ercoupe oval hole which is 1½ inch wide and 1⅜ inch high.

Holes larger than original will need 720082-000 doubler ring installed for correct boot fit.



Pushrod Boot

Doubler Ring

Pushrod Boot 415-31058 **\$42.31**

Doubler Ring..... 720082-000 **\$9.94**

Manuals

Description	Part #	Price
Alon A-2 Flight Manual (manual originally produced for U.K. CAA)	LFM	\$14.70
Alon A-2 Service Bulletins.....	LSB	\$14.70
Alon A-2 Service Manual.....	LSM	\$14.70
Alon A-2A Owners Manual.....	LWM	\$9.68
Ercoupe Service Bulletins/Memos	EBM	\$36.93
Ercoupe Flight Manual, 415-C*	CFM	\$9.68
415-C Weight and Balance Supplement.....	EFMS	No charge*
Ercoupe Flight Manual, 415D	DFM	\$9.68
Ercoupe Flight Manual, 415E/G/F1.....	EGF	\$9.68

Fundamentals of Elementary Ercoupe Flight Maneuvers	EFM	\$20.08
Ercoupe Owners Instruction Manual	EWM	\$9.68
Ercoupe Parts Catalog	EPM	\$7.80
Ercoupe Service Manual	ESM	\$25.82
Ercoupe Specifications, ADs and STCs.....	ESS	\$28.69
Forney Flight and Operation Manual for F1A	F1A	\$9.68
Forney Parts Manual, F1A	FPM	\$21.52
Forney Service Manual, F1/F1A.....	FSM	\$21.52
Forney Instruction Manual, F1	FWM	\$9.68
Mooney Owners Manual, 1969 M-10.....	MWM69	\$17.93
Mooney Owners Manual, 1970 M-10.....	MWM70	\$17.93
Mooney M-10 Parts Catalog.....	MPM	\$21.52
Mooney M-10 Service Manual	MSM	\$46.62

* The 415-C originally did not have a flight manual. It was not required at the time (Ref Ercoupe Info Letter #2). What we supply is the 415-D flight manual and include a 415-C Weight and Balance Supplement.

Nose Gear

NOTE: All nose gears use MIL 5606 (RED) hydraulic fluid.

SK-17F Nose Gear Scissors Modification Kit

Replaces the welded scissors used on the steel gear, serial numbers 183 to 4424, with forged aluminum scissors. Scissors are machined to fit the steel gear, and the kit includes all necessary bolts and bushings for installation. FAA field approval required.

Service Kit..... SK-17F **\$1,086.19**

SK-17G Upper Nose Gear Cylinder Assembly

Consists of outer cylinder, lower bushing, inner bushing, inner and lower sleeves, upper and lower outer collar, rod and head, and shim. This assembly may be used to replace the worn out upper cylinder assemblies on all Ercoupes, serial numbers 4425 and up, and early Forneys.

Service Kit..... SK-17G **\$2,539.19**

Nose Gear Steering Ball

This is the original type steering ball as used on Ercoupe, Forney and Alon.

F34074-2 **\$24.50**



Ercoupe Steel Nose Gear Parts List

Figure 1

• See Figure 1 on page 35

#	Description	Part #	# Req'd	Price
2	Outer Oleo Strut Assembly	415-34080	1	\$879.27
3	Screw	AN510-10R4	4	\$0.60
4	Oleo Strut Steering Collar	F34029	1	\$222.21
5	Oleo Strut Steering Sleeve.....	415-34057	1	\$660.24
6	Bolt	AN4-13	2	\$0.68

7	Castle Nut, sleeve to collar	AN310-4	2	\$1.16
8	Cotter Pin	AN380-2-2	2	\$0.02
9	Washer	NAS1149F0432P	2	\$0.04
10	Washer	F34051	1	\$15.82
11	Oleo Strut Inner Cylinder Assembly	415-34130	1	\$869.10
12	Screw (AN510-6R4)	MS35191-235	4	\$0.80
13	Oleo Strut Piston Assembly	415-34126-5	1	\$916.13
14	Oleo Strut Piston Cylinder Rod and Head Assembly (34099)	415-34099-2	1	\$538.43
15	Oleo Strut Gauge Assembly	415-34089	1	\$21.96
16	Oleo Strut Piston Shock Absorber	415-34087	1	\$9.48
17	Oleo Strut Piston Oil Seal Support	415-34129	1	\$217.59
18	Oleo Strut Piston Oil Seal	415-34126-1	1	\$20.71
19	Oleo Strut Piston Support Flange	415-34128	1	\$47.59
20	Nut (AN365-1032)	MS21044N3	2	\$0.20
21	Bolt	AN3-11A	2	\$0.22
22	Washer	NAS1149F0332P	2	\$0.04
23	Oleo Strut Piston Orifice Fitting	415-34127	1	\$79.41
24	Oleo Strut Spring	F34041	1	\$23.02
25	Lubrication Fitting (34085-10)	1637-B	1	\$2.05
26	Steering Joint Ball Fitting	F34074-2	1	\$24.50
27	Nut	AN310-6	1	\$1.30
28	Cotter Pin (AN380-3-3)	MS24665-283	1	\$0.04
29	Nut	AN320-4	3	\$1.14
30	Cotter Pin	AN380-2-2	3	\$0.02
32	Wheel Axle	415-34111	1	\$292.70
33	Axle Snap Ring	415-34096-1	1	\$1.66
34	Nutcracker Phenolic Bushing	415-34042	1	\$41.15
37	Nutcracker Fairing	415-34020	1	\$81.84
39	Nut (AN365-632)	MS21044N06	2	\$0.22
41	Washer (AN960-6)	NAS1149FN632P	2	\$0.04
42	Bolt	AN4-24	1	\$0.88
43	Washer	NAS1149F0432P	2	\$0.04
44	Bolt	AN4-23	1	\$0.41
45	Bolt	AN4-24	1	\$0.88
46	Nut	AN320-4	1	\$1.14
47	Cotter Pin	AN380-2-2	1	\$0.02
48	Washer	NAS1149F0432P	2	\$0.04
49	Lower Nutcracker Link Assembly	415-34019	1	\$389.99
50	Steel Nutcracker Bushing	415-34134	2	\$57.66
51	Rubber Nutcracker Bumper	415-34094	1	\$32.12
56	Nut	AN310-4	3	\$1.16
57	Cotter Pin	AN380-2-2	3	\$0.02
58	Type "A" Slotted Screw	4X1/4-PRA-SS	A/R	\$0.02
64	Wheel Washer, .032"	415-34110-3	1	\$2.31
65	Wheel Lock Nut (for 415C, CD models)	415-34109	1	\$85.34
66	Wheel Bolt	AN4-33A	3	\$1.04
68	Inner Lower Bearing	415-34133	1	\$169.79
69	O-Ring	MS28775-328	1	\$0.74
70	Scissors Assembly (see SK-17F kit on page 33)	SK-17F	1	\$1,086.19

SK-17 Nose Gear Assembly Parts List Figure 2

• See Figure 2 on page 35

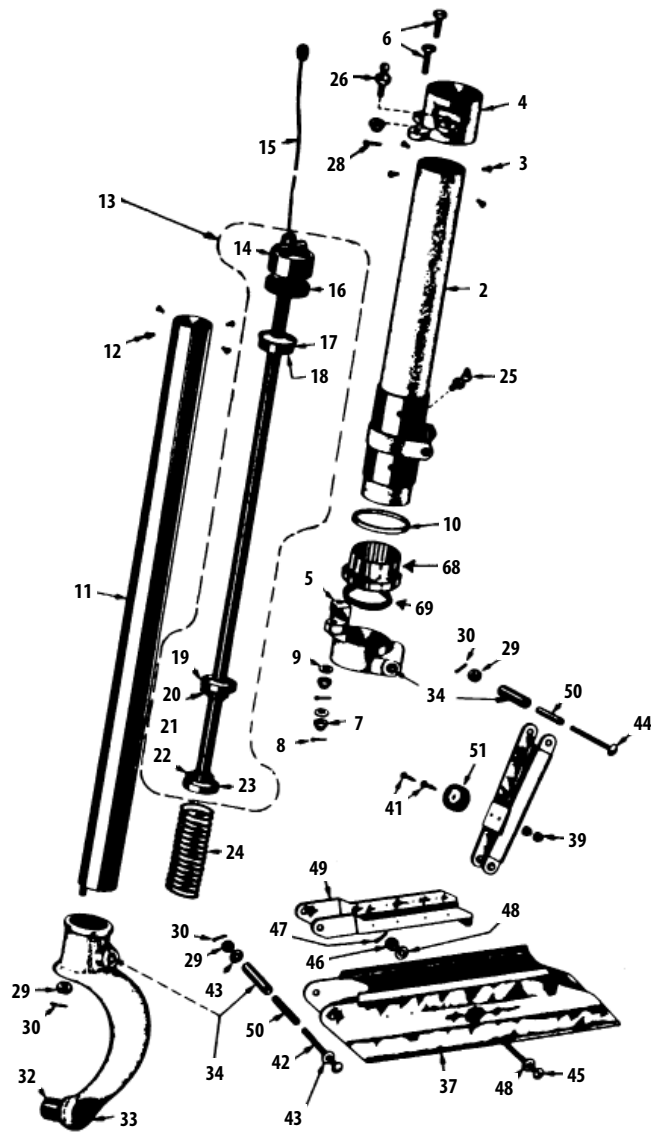
#	Description	Part #	# Req	Price
1	Shaft Assembly with Head	F34420	1	\$389.72
2	Shock Absorber	F34325	1	\$58.49
3	Snap Ring	NAS50-165	2	\$1.20
4	Shaft Guide	F34343	1	\$49.72
5	Spring	F34342	1	\$9.47
6	Washer (AN960D1016)	NAS1149D1063H	1	\$0.72
7	"O" Ring	MS28775-215	1	\$1.08
8	Inner Plug	F34316	1	\$145.77
9	"O" Ring	MS28775-220	1	\$0.56
10	"O" Ring	MS28775-114	1	\$0.60
11	Collar Plug	F34332	1	\$47.78
12	Washer	F34345	1	\$20.22
13	Snap Ring (34351-1)	MS16625-2143	1	\$0.49
14	Stop	F34344	1	\$5.87
15	Orifice Fitting	F34317	1	\$44.45
16	Bolt	AN4-11A	1	\$0.32
17	Nut	AN364-428	1	\$0.16
18	Spring	F34041	1	\$23.02
19	Inner Cylinder Assembly	F34305	1	\$869.10
20	Steering Collar	F34029	1	\$222.21
21	Washer	F34051	1	\$15.82
22	Socket Ball	F34074-2	1	\$24.50
23	Nut (AN364-624)	MS21083N6	1	\$1.05
24	Screw	AN510-10R4	2	\$0.60
25	Outer Cylinder	F34410	1	\$940.77
26	Lube Fitting	1637-B	1	\$2.05
27	Upper Inner Bushing	F34412	1	\$78.23
28	Screw Lock	F34214	4	\$7.86
30	Steering Sleeve	F34431	1	\$342.77
31	Lube Fitting	1641B	1	\$1.30
32	Bolt	AN4-14A	2	\$0.42
33	Nut (AN365-428)	MS21044N4	2	\$0.16
34	Lower Outer Bushing	F34411	1	\$167.79
35	"O" Ring	MS28775-225	1	\$0.92
36	Upper Spacer Tube	F34417	1	\$61.30
37	Lower Spacer Tube	F34416	1	\$46.86
38	Bushing	NAS75-5-026	4	\$5.38
-	Wheel 5.00 x 5	040-08700	1	\$960.30
-	Tire 5.00 x 5	500X5T4AT	1	\$66.15
-	Tube 5.00 x 5	500X5U	1	\$72.90
40	Axle Shaft	F34373	1	\$141.96
41	Spacer	F34374	2	\$32.62
42	Socket Bushings	F34372	2	\$57.37
43	Bolt	AN4-55A	1	\$10.00
44	Washer (AN960-416)	NAS1149F0463P	1	\$0.05
45	Nut (AN365-428)	MS21044N4	1	\$0.16
46	Bolt	AN5-26	2	\$0.94
47	Nut	AN310-5	1	\$1.56
48	Plug	MS20913-15	1	\$7.80
49	Scissors Link	F34318	2	\$293.87
50	Bushing	NAS75-5-008	4	\$4.30
51	Rubber Bumper	F34309	1	\$22.44

Continued on page 35

**If you need parts for the Electrol or
Universal Aircraft Industries nose gear, call or fax
Univair for price and availability.**

Figure 1 • Steel Nose Gear

- *Applicability: Serial numbers 187 to 4500*
- *See page 37 for SK-31 series nose gear service kits*



70 SK-17F Note: Scissors Modification Kit – see page 33 for kit details

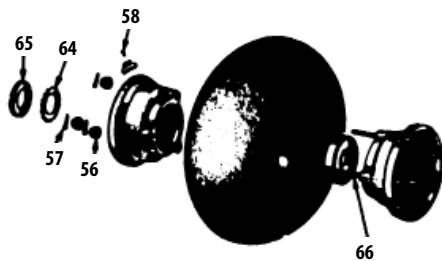
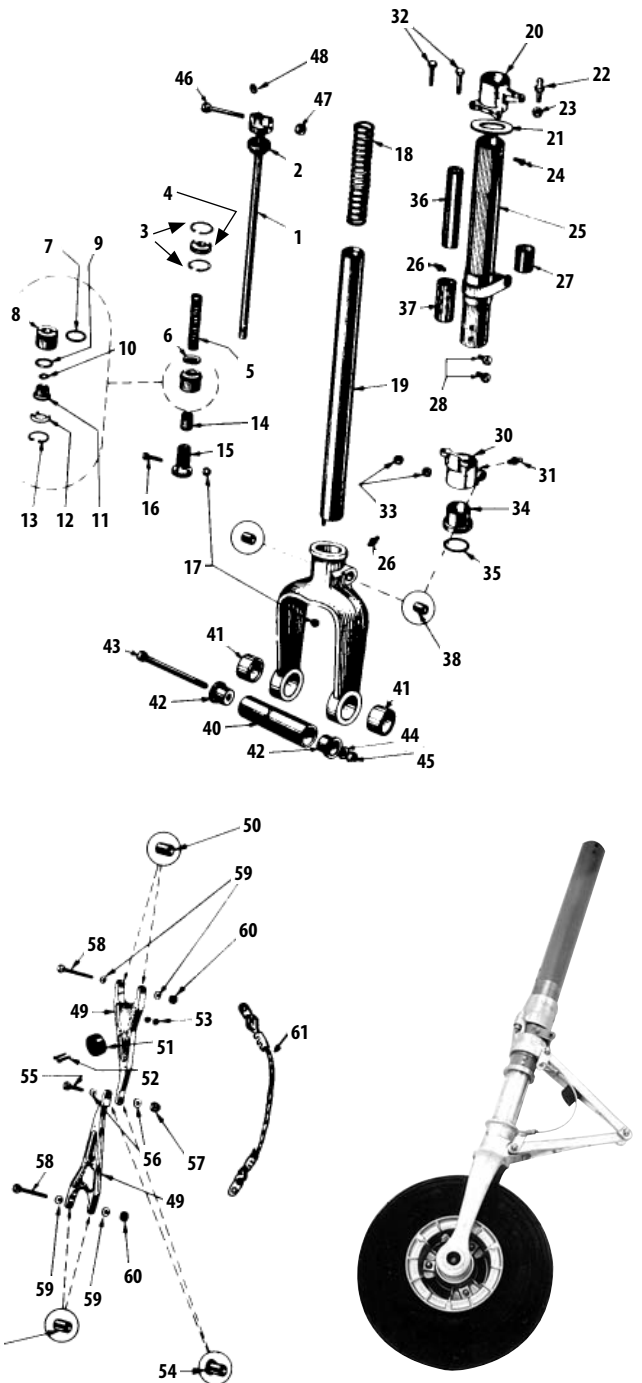


Figure 2 • SK-17 Nose Gear Assembly



Continued from page 34

52	Screw (AN515-6-20).....	MS35206-235.....	2.....	\$0.20
53	Nut (AN365-632).....	MS21044N06.....	2.....	\$0.22
54	Bushing.....	F34339.....	2.....	\$13.70
55	Bolt.....	AN5-11.....	1.....	\$0.68
56	Washer (AN960-516).....	NAS1149F0563P.....	2.....	\$0.08
57	Nut.....	AN310-5.....	1.....	\$1.56
58	Bolt.....	AN5-26.....	2.....	\$0.94
59	Washer (AN960-516).....	NAS1149F0563P.....	4.....	\$0.08
60	Nut.....	AN310-5.....	2.....	\$1.56
61	Snub Cable.....	.530062-000.....	1.....	\$62.57

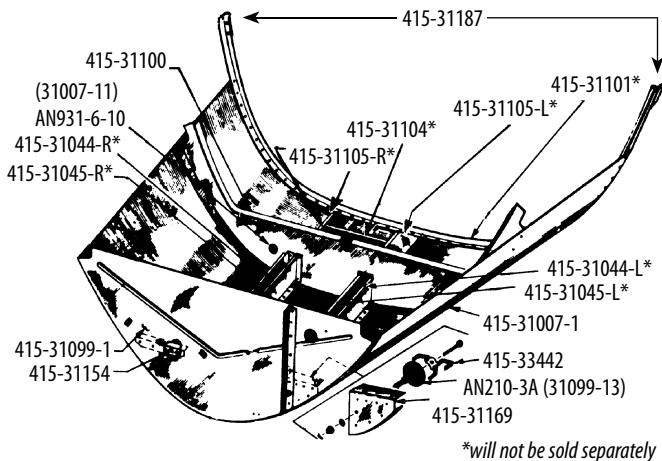
Service Assemblies

Description	Part #	Price
Left or Right Replacement Edge Assembly Side Cowling with CAMLOC Fasteners*	SA-22-L/R	\$178.39
with DZUS Fasteners*	SA-23-L/R	\$89.83
Left or Right Outer Panel Rear Spar Repair Section	SA-24-L/R	\$589.40

*FAA field approval required

Service Assembly #1

Lower Forward Frame Assembly	SA-1	\$2,919.51
------------------------------	------	------------

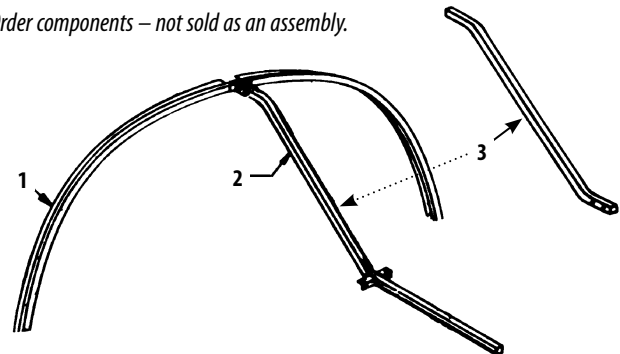


Frame "C" Components

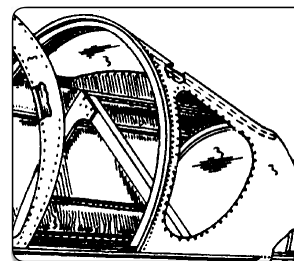
Frame Assembly "C" new type (SN 1 to 2622)**

Frame Assembly "C" new type (SN 2623 and up)**

**Order components – not sold as an assembly.



1) Channel	F31145	\$75.99
2) Front Frame	415-31150	\$207.74
3) Windshield Frame	F31215	NLA



Frame Rear Top Skin

F31160-3	\$1,187.21
----------	------------

Service Kits

See additional Service Kits on our website

Kit #	Description	Notes	Early Kit #	Price
SK-1	Rudder Bellcrank Modification Kit	Complies with AD 67-06-03.	FMK-26	\$48.47
SK-2	CAMLOC Fastener Repair Kit	Fasteners only.	-	\$108.81
SK-2A	DZUS Fastener Repair Kit	Fasteners only.	-	\$182.30
SK-3	Cowl Fairing Kit	Streamlined fairing; for shielded ignition; 2 per kit.	FMK-4	\$263.67
SK-3A	Cowl Fairing Kit	Streamlined fairing; for shielded ignition on M-10 Cadet; 2 per kit.	-	\$190.02
SK-4	Trim Tab Control Conversion Kit	Less tab for 415 series; for C-75 to C-85 conversion.	-	\$871.05
415-22031	Trim Tab	Supersedes SK-4A. Tab used when SK-4 is installed.	-	\$302.78
SK-5	Gas Tank Installation Kit	For part number 48197-L/R; tanks not included.	-	\$162.16
SK-6	Rear Window Kit	Large full view window; Frney hat and map shelf required.	FMK-6	\$783.33
SK-7	Fuel Pump Modification Kit	Complies with AD 47-20-03.	-	\$111.39
SK-8	Battery Box Modification Kit	As per Ercoupe Bulletin #22.	-	\$89.59
SK-9	Rear Spar Reinforcement Kit	Complies with AD 59-05-04.	FMK-19	\$89.73
SK-10	Cabin Air Intake Kit		FMK-30	\$507.81
SK-12	Battery Box Modification Kit	Large to small battery.	-	\$87.18
SK-14	Trim Tab Stop and Springs Kit	Complies with AD 50-07-01.	-	\$52.31

Service Kits (continued)

Kit #	Description	Notes	Early Kit #	Price
SK-15	Bubble Windshield Kit	Complete, clear; see page 38 for details.	FMK-11	\$945.82
SK-15A	Bubble Windshield Kit	Complete, tinted; see page 38 for details.	FMK-11A	\$1,116.14
SK-16	Landing Light Kit	Used with metal wings.	FMK-16	\$1,057.07
SK-17F	Nose Gear Scissor Modification Kit	Replaces welded steel scissors with forged aluminum scissors; FAA field approval required; see page 33 for details.	–	\$1,086.19
SK-21	Rudder Pedal Kit	See page 38 for details.	–	\$1,581.10
SK-22	Control Wheel Shaft Bushing Kit		FMK-21	\$125.92
SK-23	Cowl Support Kit	“Scalp-Saver Kit”	–	\$173.93
SK-24	Oil Tank Baffle Cooling Kit	For C-75 to C-85 conversion.	–	\$1,124.15
SK-27	Cabin Heat Box Modification Kit		FMK-25	\$82.71
SK-28	Landing Light Installation Kit	See page 38 for details.	–	\$1,178.10
SK-31-LB	Nose Gear Service Kit	For steel gear; less bronze bushing.	–	\$256.86
SK-31-WB	Nose Gear Service Kit	For steel gear; with bronze bushing.	–	\$449.71
SK-31A-LB	Nose Gear Service Kit	For Electrol gear; less bronze bushing.	–	\$275.12
SK-31A-WB	Nose Gear Service Kit	For Electrol gear; with bronze bushing.	–	\$347.55
SK-31B-LB	Nose Gear Service Kit	For late Forney and Alon; less bronze bushing.	–	\$261.23
SK-31B-WB	Nose Gear Service Kit	For late Forney and Alon; with bronze bushing.	–	\$429.59
SK-31C-LB	Nose Gear Service Kit	For Mooney M-10; less bronze bushing.	–	\$192.92
SK-31C-WB	Nose Gear Service Kit	For Mooney M-10; with bronze bushing.	–	\$400.91
SK-32A	Main Gear Service Kit	Piston and o-rings for SN 813 and up; 2 required.	–	\$387.82
SK-33	Small Oil Door Kit	See page 38 for details.	FMK-1	\$313.99
SK-33A	Large Oil Door Kit	See page 38 for details.	–	\$196.22
SK-35	Belleville Spring Kit	See page 39 for details.	FMK-9	\$1,274.37
SK-36	Rudder Rib Kit	Complies with AD 59-25-05; provide parts for both sides.	FMK-22	\$270.38
SK-37	Frame Drain Installation Kit	As per Service Bulletin #109.	FMK-27	\$40.13
SK-38	Oil Breather Tube Re-routing Kit	As per Service Bulletin #108.	FMK-28	\$339.59
SK-39	Fuel System Drain Modification	Quick exterior drain as per Service Bulletin #111.	FMK-29	\$792.65
SK-42	Improved Rudder Pedal Centering Spring Kit	Installation of improved rudder pedal centering spring.	MK-2	\$803.11
SK-45	Fresh Air Conversion Kit	For Alon and Mooney.	MK-6	\$109.14
SK-46	Anti-Ice Deflector Kit	Eliminate icing between aileron and wing center section; for all models 415 through Mooney Cadets.	MK-7	\$25.82
SK-48-L	Butt Rib Repair Kit – Left		–	\$124.03
SK-48-R	Butt Rib Repair Kit – Right		–	\$124.03
SK-49	Fuel Filler Neck Modification Kit	Per Alon Bulletin #16, section I, step 4.	–	\$58.71
SK-50	Fuel Filler Cap Frame Tank Kit	Modification as per Alon Bulletin #16, section II, step 1.	–	\$25.17
SK-51	Wing Tank Fuel Cap Modification Kit	Per Alon Bulletin #16, section II, step 2.	–	\$98.58
SK-52	Wing Tank Fuel Cap Modification Kit	Per Alon Bulletin #16, section I, II and III.	–	\$205.27
SK-53A	Canopy Latch Kit	Nielson type.	–	\$71.37
SK-54	Model E Grimes Light Adapter Kit	For installing wingtip strobes; FAA field approval required.	–	\$307.69
SK-55	Model E Grimes Navigation Lights Kit	One red, one green; can be used with Whelen A650 Strobe Light; FAA field approval required.	–	\$590.17
SK-56	Tail Cone Assembly Kit – New Style	Used when Whelen A555 or A550 light is used; FAA field approval required; see page 38 for details.	–	\$1,373.46

Service Kits (continued)

Kit #	Description	Notes	Early Kit #	Price
SK-57	Nose Gear Steering Rod End Connection Kit	See page 39 for details.	–	\$140.98
SK-58	Main Gear Brake Hose Kit	One kit services one landing gear strut.	–	\$230.45
SK-64	Alon Exhaust Flexible Support Kit		–	\$92.47
SK-75	Handbrake Installation Kit		–	\$775.15
SK-76	Gascolator Kit	See page 39 for details.	–	\$170.33
SK-76F	Gascolator Kit	See page 39 for details.	–	\$287.47
SK-76G	Gascolator Kit	See page 39 for details.	–	\$414.79
SK-76FG	Gascolator Kit	See page 39 for details.	–	\$379.77
SK-78	Alon Left Seat Rail Kit		–	\$628.87
SK-78A	Alon Right Seat Rail Kit		–	\$628.87
SK-80-1	Inspection Plate Kit (Flat)	Complies with SB-31 and AD2202-16-02. For aircraft with smooth center section bottom skins; see page 39 for details.	–	\$332.40
SK-80-2	Inspection Plate Kit (Beaded)	Complies with SB-31 and AD2202-16-02. For aircraft with beaded center section bottom skins; see page 39 for details.	–	\$293.87

SK-15 Bubble Windshield Kit

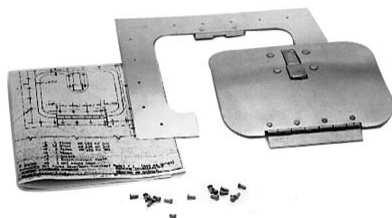
Clear vision without distortion! This double curvature windshield will stop aggravating rain leaks and offers an appreciable amount of soundproofing. It can be installed on older Ercoupes and comes complete with installation kit.



Clear.....SK-15**\$945.82**
 Tinted..... SK-15A **\$1,116.14**

SK-33 Oil Door Kits

SMALL DOOR: 4¹⁵/₁₆ x 6¹/₄ inches. Complete kit with instructions and hardware. Provides access to oil filler without the necessity of opening the cowl on pre-flight checks.



Small Oil Door Kit
 SK-33 **\$313.99**

LARGE DOOR: 9⁹/₁₆ x 12 inches. Same as the SK-33 Oil Access Door Kit, but provides for a larger door. Door fastens with two easy-to-use, wing-type fasteners.



Large Oil Door Kit
 SK-33A **\$196.22**

SK-21 Rudder Pedal Kit

The rudders are completely disengaged from the aileron system and therefore independent of the lateral controls, allowing the airplane to be flown in slips, and misuse of the rudder pedals can be demonstrated in flight. It is not necessary to use the rudder pedals in excess of 70 miles per hour, due to the efficiency of the aileron system. Visit our website for a complete list of all parts included in this kit.



Rudder Pedal KitSK-21**\$1,581.10**

SK-28 Landing Lights Installation Kit

The Ercoupe Landing Light System is supplied complete with two lights, one for each main landing gear fairing, and wiring with terminals installed for connecting these lights to switches which are provided. Instructions for installation and a wiring diagram are also included.

Landing Lights KitSK-28**\$1,178.10**

SK-56 Alon Tail Cone Kit

Streamline your Ercoupe with the new style Alon Tail Cone. Facilitates installation of tail mounted strobe. Gives your Ercoupe that new look.



SK-56 **\$1,373.46**

SK-35 Belleville Spring Kit

Smoother ride on rough fields, better taxiing control, reduces "pitch" (less wear to nose gear parts), reduces wing "oil canning" on ground. Reduces landing shock, affords added protection to rear spar, raises tail to proper level.

Kit consists of 14 Belleville springs (complete for both gears), new O-rings, 6 spacers, 2 flanges and installation instructions.



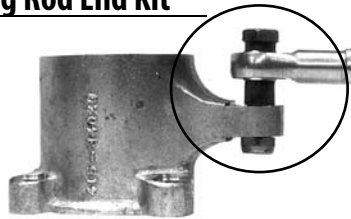
Belleville Spring Kit (shown installed)

SK-35\$1,274.37

SK-57 Improved Steering Rod End Kit

- This unit replaces part number 415-34074-2 ball stud
- Steering collar not included

This kit consists of rod end bearing and all necessary hardware. It is FAA approved for all Ercoupe, Forney, Alon and M-10, when purchased from Univair. For use with the part number 52035 pushrod that has the male threaded stud.



Improved Steering Rod End KitSK-57 \$140.98

SK-76 Gascolator Support Service Kits

- All SK-76 service kits comply with Service Bulletin 24B



SK-76 Kit

Gascolator Support Service Kit for Ercoupe

415-C, 415-CD, 415-D, 415-E, 415-G SK-76..... \$170.33

Includes brass nipple and elbow, braces and necessary hardware for aircraft with Bendix Stromberg carburetors.

Gascolator Support Service Kit

for Forney F-1 and F-1A SK-76F..... \$287.47

Includes brass nipple and elbow, braces and necessary hardware. This kit is also applicable on 415 series Ercoupes with Marvel-Schebler (Precision) carburetors.

Gascolator Support Service Kit..... SK-76G..... \$414.79

Same as the SK-76 Kit, but includes a new aluminum gascolator with quick drain for aircraft requiring gascolator replacement, for aircraft using Bendix Stromberg carburetors.

Gascolator Support Service Kit..... SK-76FG..... \$379.77

Same as the SK-76F Kit, but includes a new aluminum gascolator with quick drain for aircraft requiring gascolator replacement, for 415 series Ercoupes and Forneys with Marvel-Schebler (Precision) carburetors.

SK-80 Service Kits



Service Bulletin 31 – Method 1 Service Kit for aircraft with smooth center section bottom skins.

SK-80-1..... \$332.40

Service Bulletin 31 – Method 1 Service Kit for aircraft with beaded center section bottom skins.



SK-80-2..... \$293.87

Stabilizer

Description	Part #	Price
Stabilizer Assembly (specify model).....	415-21001	\$9,694.67
Stabilizer Front Beam.....	F21002	\$67.16
Stabilizer Rear Beam		
For Ercoupe 415-C through 415-G	415-21003	\$297.55
For Forney SN 5640 and up, all Alon	F21003	\$305.73
#2 Rib.....	415-21005	\$25.45
#1 Nose Rib.....	415-21006	\$24.43
#2 Nose Rib.....	415-21007	\$24.43
#3 Nose Rib.....	415-21008	\$24.43
#4 Nose Rib.....	415-21009	\$24.43
Hinge Fitting Assembly, Left	415-21011-L	\$21.76
Right.....	415-21011-R	\$24.71
#3 Rib.....	415-21012	\$25.45
Attach Fitting, Left	F21013-L	\$58.39
Right.....	F21013-R	\$58.39
Accessory Door, Left	415-21014-L	\$12.72
Right.....	415-21014-R	\$12.72
Forward Attach Fitting.....	F21015	\$55.44
Upper Stabilizer Skin (Skin Only).....	415-21022-1	\$236.21
Leading Edge Skin, Left.....	F21025-L	\$261.47
Right.....	F21025-R	\$261.47
Lower Skin, Left	415-21028-1-L	\$155.92
Right.....	415-21028-1-R	\$155.92
Horizontal Stabilizer – Mooney M-10	420002-001	\$4,228.24






**Univair aircraft parts
have been made in
the U.S.A. since 1946**

Spinners

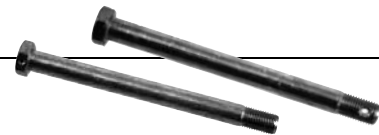
Ercoupe Spinner Components

Any of the following combinations may be used on Ercoupe, Forney, Alon or Mooney. However, you must select the proper assembly for your particular propeller and crankshaft combination. NOTE: The use of the later style Mooney spinners on the earlier Ercoupe/Forney models will require an FAA 337 approval.

Propeller	Crankshaft	Dome	Front Bulkhead	Rear Bulkhead
 Metal Propeller	Flanged	F40594 \$366.56	A40665-8 \$108.62	F40663-00 \$298.92
	Tapered	F40594 \$366.56	A40665-8 \$108.62	F40663-01 \$352.25
 Wood Propeller	Flanged	F40593 \$442.95	—	415-40592-2 \$179.88
	Tapered	F40593 \$442.95	—	415-40592-1 \$228.78
 Alon/Mooney Metal Propeller (New Style)	Flanged	680030-001 \$482.11	680029-004 \$112.92	F40663-00 \$298.92
	Tapered	680030-001 \$482.11	680029-004 \$112.92	F40663-01 \$352.25

Ercoupe Propeller Bolts

- 6 bolts required per aircraft
- Priced and sold individually



McCauley Metal Propeller

Bolts for Flanged Crankshaft	AN6H31A	\$9.00
Bolts for Tapered Crankshaft	AN6-34A	\$1.14

Flottorp Wood Propeller

Bolts for Flanged Crankshaft	AN6H42A	\$9.60
Bolts for Tapered Crankshaft	AN6-42	\$4.30

Wing

Front Beam

Front Beam Assembly, Left	F14007-L	\$7,204.05
Right	F14007-R	\$7,204.05
Tip Only, Left	F14029-1L	\$211.87
Right	F14029-1R	\$211.87
Diagonal Rib Gusset	415-14037	\$8.55
Attach Fitting, Left (14039-L)210348-000	\$294.99
Right (14039-R)210349-000	\$294.99
Wing Attach Fitting Spacer	415-14040	\$4.65
Upper Inner Rib Gusset, Left	415-14041-L	\$4.72
Right	415-14041-R	\$4.72
Tip Assembly Flange, Left	415-14075-L	\$15.96
Right	415-14075-R	\$15.96
Shim	415-14067	\$2.08
Gusset, Front Beam to End Rib	415-14018	\$1.84

Rear Beam

Rear Beam Assembly, Left	415-14008-L	\$2,394.80
Right	415-14008-R	\$2,394.80
Hinge Assembly, Left	415-14020-L	\$67.23
Right	415-14020-R	\$67.23
Rear Beam Tip, Left	415-14061-L	\$170.78
Right	415-14061-R	\$170.78
Outer Diagonal Gusset	415-14021	\$1.84
Bow End Rib Gusset, Left	415-14022-L	\$1.84
Right	415-14022-R	\$1.84
Intermediate Rib Gusset	415-14023	\$1.84
Reinforcement Plate	415-14008-6	\$18.10
Top Inner End Rib Gusset, Left	415-14072-1-L	\$2.90
Right	415-14072-1-R	\$2.90

Lower Inner End Rib Gusset, Left.....	415-14072-2-L.....	\$2.90
Right.....	415-14072-2-R.....	\$2.90
Splice Plate	415-14074.....	\$3.07

Ribs

Inboard Rib, Left	F14006-L.....	\$252.25
Right.....	F14006-R.....	\$252.25
Outer Diagonal Rib, Left.....	415-14011-L.....	\$161.91
Right.....	415-14011-R.....	\$161.91
Outer Tip Former Rib.....	415-14009.....	\$181.28
Inner Tip Former Rib.....	F14010.....	\$138.67
Inner Diagonal Rib, Left	F14005-L.....	\$414.27
Right.....	F14005-R.....	\$414.27
Bow Brace Rib, Left	F14019-L.....	\$76.95
Right.....	F14019-R.....	\$76.95
Intermediate Nose Rib	F14013.....	\$103.04
Beam Splice Inner Nose Rib	F14015.....	\$51.32
Beam Splice Outer Nose Rib.....	F14058.....	\$86.91
Bow Skin Splice Nose Rib	F14016.....	\$51.32
Tip Nose Rib, Left	415-14017-L.....	\$122.06
Right.....	415-14017-R.....	\$122.06
Inboard Nose Rib, Left.....	415-14026-L.....	\$88.98
Right.....	415-14026-R.....	\$88.98
Trailing Edge Rib, Left	415-14030-L.....	\$16.09
Right.....	415-14030-R.....	\$16.09
Intermediate Diagonal Rib, Left	F14051-1-L.....	\$151.21
Right.....	F14051-1-R.....	\$151.21
Fourth Diagonal Rib, Left	F14051-2-L.....	\$169.70
Right.....	F14051-2-R.....	\$169.70
Fifth Diagonal Rib, Left	F14052-L.....	\$156.26
Right.....	F14052-R.....	\$156.26
Inner Rib Angle	415-14002-3.....	\$30.99
Rib Splice Spacer.....	415-14002-2.....	\$0.83
Rib Bow Tip Assembly, Left	415-14012-L.....	\$709.99
Right.....	415-14012-R.....	\$709.99

Other Wing Parts

Pitot Head Support Bracket Assembly.....	415-14043.....	\$41.34
Pitot Line Support Clip.....	F14033.....	\$8.00
Tip Rear Reinforcement, Left.....	415-14050-L.....	\$60.73
Right.....	415-14050-R.....	\$60.73
Tip Skin Reinforcement	415-14054.....	\$4.49
Tip Skin, Left	415-14055-1-L.....	\$90.21
Right.....	415-14055-1-R.....	\$90.21
Tip Bow Brace Stiffener.....	415-14056.....	\$4.09
Celluloid Washer (Pack of 100).....	415-14057.....	\$13.84
Front Bow Tip Assembly, Left	415-14066-L.....	\$681.59
Right.....	415-14066-R.....	\$681.59
Stiffener.....	415-14068-4.....	\$25.45
Leading Edge Skin.....	415-14002-1.....	\$404.03
Air Speed Pressure Tube	415-14002-4.....	\$118.33
Tip Assembly, Left	415-14008-TA-L.....	\$582.27
Right.....	415-14008-TA-R.....	\$582.27
Angle	415-14068-1.....	\$24.03
Angle	415-14068-2.....	\$32.80
Angle	415-14068-3.....	\$24.63

Wing Spar Cap Strips

• *Applicability: Ercoupe serial numbers 813 and up*

Upper, Left	210300-L00.....	\$2,620.07
Right.....	210300-R00.....	\$2,268.19
Lower, Left	210301-L00.....	\$2,620.07
Right.....	210301-R00.....	\$2,620.07

Tie Down Eye Bolt

**FAA/PMA
APPROVED**

415-14044	\$10.12
-----------------	----------------



Cover Reinforcement Patches

- *Pinked grade A dollar patches*
- *Diameter: Approximately 2 inches*
- *Package 100*
- *Supersedes part number 415-14069*

Dollar Patches (pack of 100)	
5001	\$22.65



Ercoupe Wing Metalization STC

STC (excludes aluminum).....	STC-SA319WE.....	\$75.00
------------------------------	------------------	----------------

This part requires four 3 x 10 foot sheets of .020" thick aluminum

Sheet Aluminum (4 x 12 feet; .020" thickness)

Priced per square foot.....	2024-T3-.020.....	\$3.81
-----------------------------	-------------------	---------------

Additional crating charges apply – see **Order and Shipping Information** in back of catalog for details. More sheet aluminum options can be found in the **Raw Materials** section.

Toll Free Sales: 1-888-433-5433

